

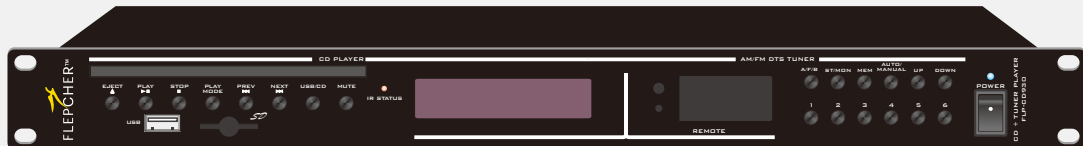


# FLEPCHER™

---

**PROFESSIONAL PUBLIC ADDRESS SYSTEM**

## CD + TUNER PLAYER



- FLP-CD930

# OPERATION MANUAL

Please follow the instructions in this manual to obtain the optimum results from this unit.  
We also recommend that you keep this manual handy for future reference.

## TABLE OF CONTENTS

<b>1. SAFETY PRECAUTIONS</b> .....	3
<b>2. FEATURES</b> .....	5
<b>3. NOMENCLATURE AND FUNCTIONS</b>	
3.1 Front Panel .....	5
3.2 Real Panel .....	6
3.3 Remote control .....	6
<b>4. CONTROL INSTRUCTION</b> .....	7
<b>5. BLOCK DIAGRAM</b> .....	8
<b>6. SPECIFICATIONS</b> .....	9

# 1. SAFETY PRECAUTIONS

- Be sure to read the instructions in this section carefully before use.
- Make sure to observe the instructions in this manual as the conventions of safety symbols and messages regarded as very important precautions are included.
- We also recommend you keep this instruction manual handy for future reference.

## Safety Symbol and Message Conventions

Safety symbols and messages described below are used in this manual to prevent bodily injury and property damage which could result from mishandling. Before operating your product, read this manual first and understand the safety symbols and messages so you are thoroughly aware of the potential safety



### WARNING

Indicates a potentially hazardous situation which, if mishandled, could result in death or serious personal injury.



### CAUTION

Indicates a potentially hazardous situation which, if mishandled, could result in moderate or minor personal injury, and/or property damage.



### WARNING

#### When Installing the Unit

- Do not expose the unit to rain or an environment where it may be splashed by water or other liquids, as doing so may result in fire or electric shock.
- Use the unit only with the voltage specified on the unit. Using a voltage higher than that which is specified may result in fire or electric shock.
- Do not cut, kink, otherwise damage nor modify the power supply cord. In addition, avoid using the power cord in close proximity to heaters, and never place heavy objects -- including the unit itself -- on the power cord, as doing so may result in fire or electric shock.
- Be sure to replace the unit's terminal cover after connection completion. Because high voltage is applied to the speaker terminals, never touch these terminals to avoid electric shock.
- Be sure to ground to the safety ground (earth) terminal to avoid electric shock. Never ground to a gas pipe as a catastrophic disaster may result.
- Avoid installing or mounting the unit in unstable locations, such as on a rickety table or a slanted surface. Doing so may result in the unit falling down, causing personal injury and/or property damage.

#### When the Unit is in Use

- Should the following irregularity be found during use, immediately switch off the power, disconnect the power supply plug from the AC outlet and contact your nearest **FLEPCHER** dealer. Make no further attempt to operate the unit in this condition as this may cause fire or electric shock.
  - If you detect smoke or a strange smell coming from the unit.
  - If water or any metallic object gets into the unit
  - If the unit falls, or the unit case breaks
  - If the power supply cord is damaged (exposure of the core, disconnection, etc.)
  - If it is malfunctioning (no tone sounds.)
- To prevent a fire or electric shock, never open nor remove the unit case as there are high voltage components inside the unit. Refer all servicing to your nearest **FLEPCHER** dealer.
- Do not place cups, bowls, or other containers of liquid or metallic objects on top of the unit. If they accidentally spill into the unit, this may cause a fire or electric shock.
- Do not insert nor drop metallic objects or flammable materials in the ventilation slots of the unit's cover, as this may result in fire or electric shock.

### CAUTION

#### When Installing the Unit

- Never plug in nor remove the power supply plug with wet hands, as doing so may cause electric shock.
- When unplugging the power supply cord, be sure to grasp the power supply plug; never pull on the cord itself. Operating the unit with a damaged power supply cord may cause a fire or electric shock.
- When moving the unit, be sure to remove its power supply cord from the wall outlet. Moving the unit with the power cord connected to the outlet may cause damage to the power cord, resulting in fire or electric shock. When removing the power cord, be sure to hold its plug to pull.
- Do not block the ventilation slots in the unit's cover. Doing so may cause heat to build up inside the unit and result in fire.
- Avoid installing the unit in humid or dusty locations, in locations exposed to the direct sunlight, near the heaters, or in locations generating sooty smoke or steam as doing otherwise may result in fire or electric shock.

#### When the Unit is in Use

- Do not place heavy objects on the unit as this may cause it to fall or break which may result in personal injury and/or property damage. In addition, the object itself may fall off and cause injury and/or damage.
- Make sure that the volume control is set to minimum position before power is switched on. Loud noise produced at high volume when power is switched on can impair hearing.
- Do not operate the unit for an extended period of time with the sound distorting. This is an indication of a malfunction, which in turn can cause heat to generate and result in a fire.
- Contact your **FLEPCHER** dealer as to the cleaning. If dust is allowed to accumulate in the unit over a long period of time, a fire or damage to the unit may result.
- If dust accumulates on the power supply plug or in the wall AC outlet, a fire may result. Clean it periodically. In addition, insert the plug in the wall outlet securely.
- Switch off the power, and unplug the power supply plug from the AC outlet for safety purposes when cleaning or leaving the unit unused for 10 days or more. Doing otherwise may cause a fire or electric shock.

An all-pole mains switch with a contact separation of at least 3 mm in each pole shall be incorporated in the electrical installation of the building.

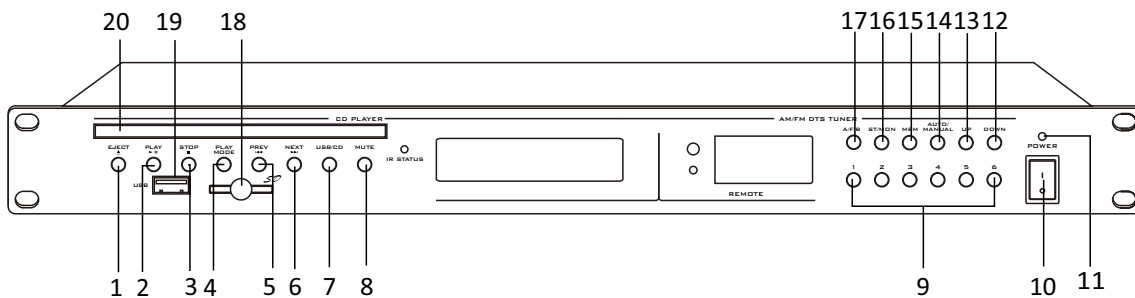
Due to product upgrades, while some of the features and specification in the user manual does not match the actual functions, sorry for any inconvenience and thanks for your kind understanding!

## 2. FEATURES

1. Standard cabinet design (1U), black alumina brushed panel, humanized drawing, exquisite craftsmanship, high-grade appearance.
2. Built-in USB interface / SD card slot, CD movement and radio, Bluetooth four audio sources. CD player and MP3 player share one channel output, radio and Bluetooth share one channel output.
3. CD adopts high-end suction movement.
4. The radio adopts a high-sensitivity radio module; AM / FM stereo two-band reception is optional, and the radio frequency memory can be stored up to 99.
5. With infrared remote control function, it can independently control the volume.
6. Support 2.4G Bluetooth playback. The receiving distance is greater than 10 meters.

## 3. NOMENCLATURE AND FUNCTIONS

### 3.1 FRONT PANEL



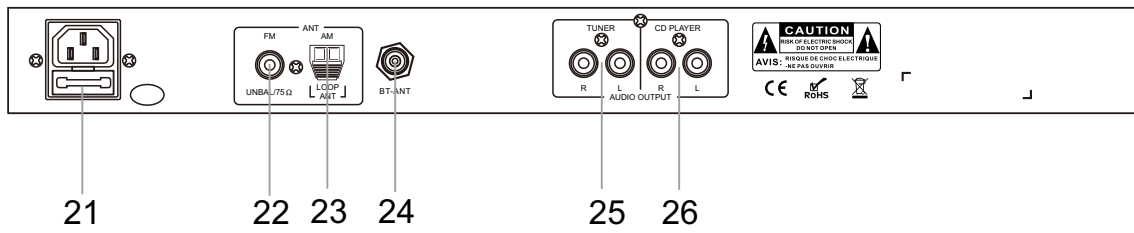
- |   |  |
|---|--|
| 1. Input/output                               | 12. Down   |
| 2. Play                                       | 13. Up   |
| 3. Stop                                       | 14. Radio mode<br>(manual mode / automatic mode)     |
| 4. Single / full song cycle / normal playback | 15. Storage  |
| 5. Previous song                              | 16. Mono / stereo shift<br>(not currently supported) |
| 6. Next song                                  | 17. AM/FM/Bluetooth shift                            |
| 7. USB mode / SD mode shift                   | 18. SD card slot                                     |
| 8. Mute                                       | 19. USB interface                                    |
| 9. Radio station number buttons 1-6           | 20. CD-ROM drive                                     |
| 10. Power indicator                           |  |
| 11. Power switch                              |  |

#### NOTE:

The case has been connected with power cord, please insert power into the grounded power grid, avoid static electricity interrupting to damage equipment.

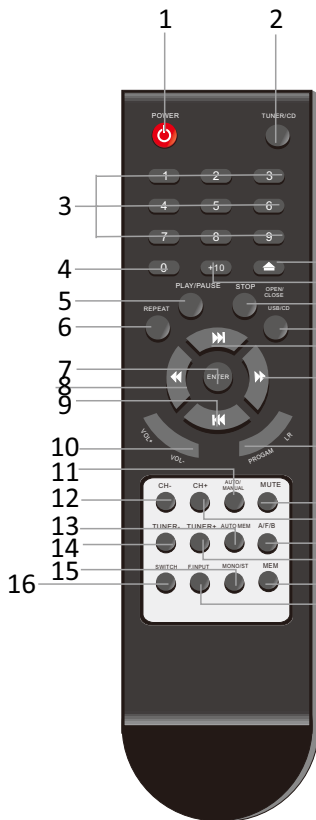
# NOMENCLATURE AND FUNCTIONS

## 3.2 REAR PANEL



- 21. AC power input;
- 22. FM external antenna;
- 23. AM external loop antenna;
- 24. Bluetooth external antenna;
- 25. Radio channel output; “R” is the right channel and “L” is the left channel.
- 26. CD channel output; “R” right channel, “L” left channel.

## 3.3 REMOTE CONTROL

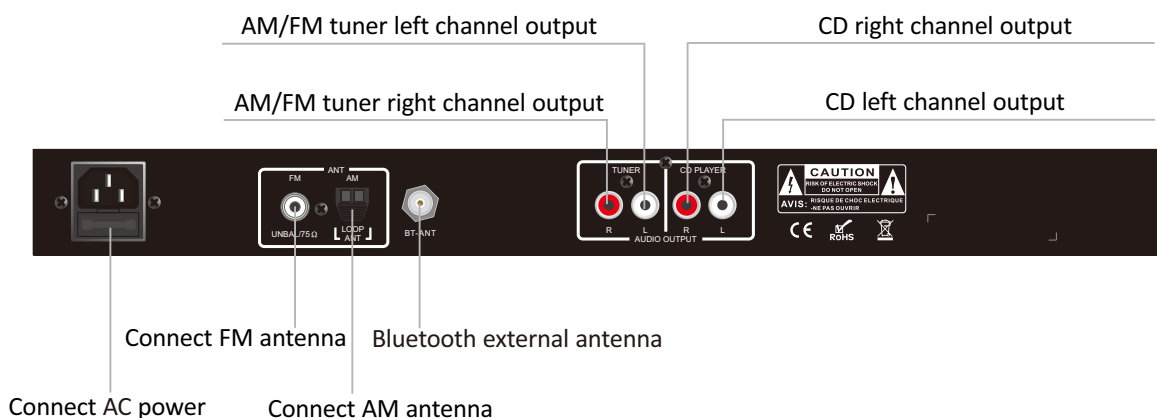


- 1. Power button
  - 2. CD radio remote control switch button
  - 3. Number buttons 1 ~ 9
  - 4. Number button 0
  - 5. Play/pause button
  - 6. Cycle button
  - 7. OK button
  - 8. Previous song
  - 9. Rewind button
  - 10. Volume + / - button
  - 11. Manual / auto mode button
  - 12. Previous channel
  - 13. Radio auto / manual switch button
  - 14. Reduce frequency
  - 15. Mono / stereo shift button
  - 16. Display the current channel
  - 17. Direct input frequency
  - 18. Save button
  - 19. Increase frequency
  - 20. AM/FM/Bluetooth shift button
  - 21. Incremental frequency modulation
  - 22. Mute button
  - 23. Left and right channel adjustment buttons
  - 24. Next song
  - 25. Fast forward button
  - 26. USB / CD shift button
  - 27. Stop button
  - 28. Channel + 10 button
  - 29. EJECT button
- (Not currently supported)
- (Not currently supported)

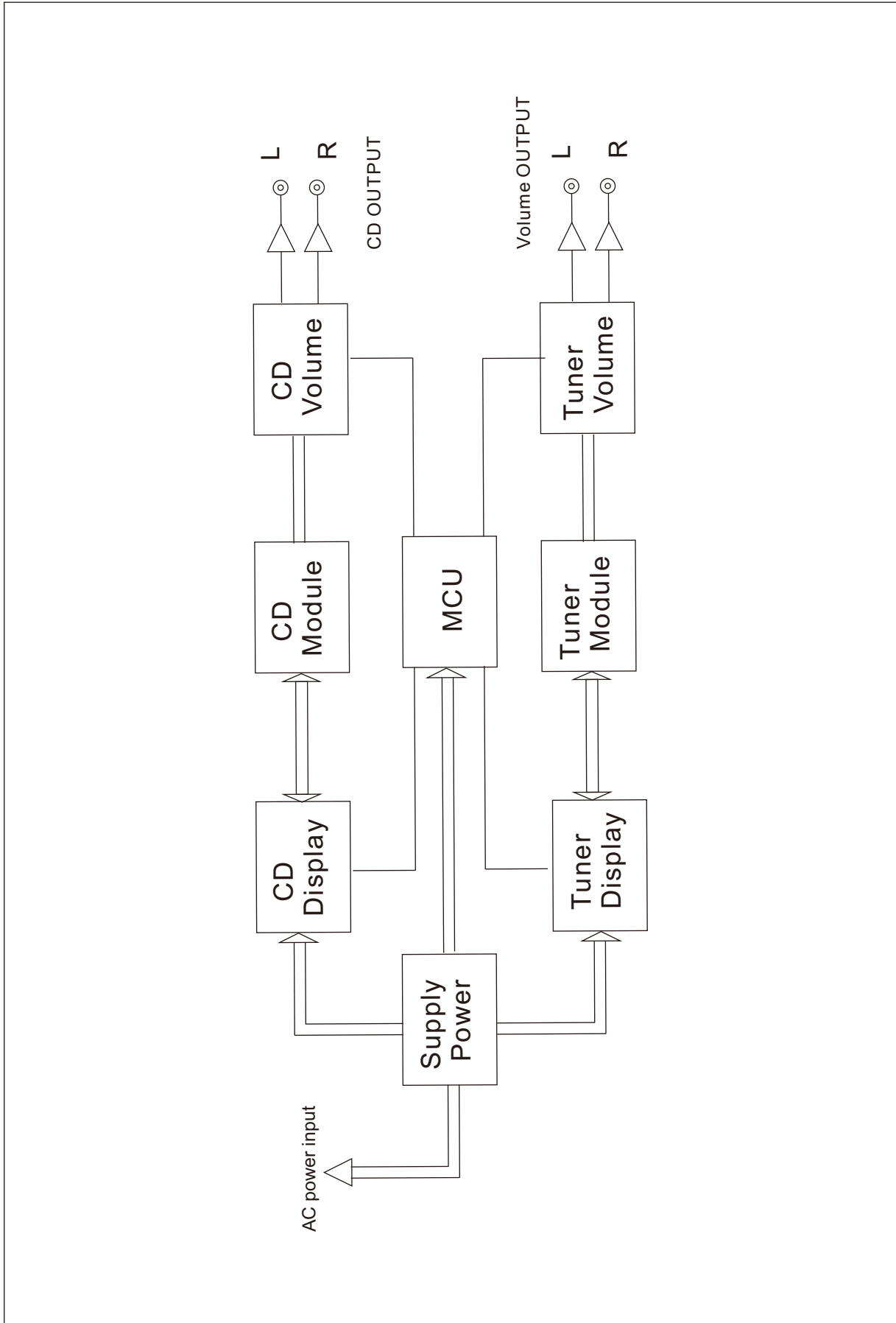
## 4.CONTROL INSTRUCTION

1. Press the power switch, turn on the power. The power indicator lights up, the screen shows CLOSE, the machine reads the disc status after 2 seconds, the screen shows CORD. If there is no disc in the machine, the screen shows NO DISC.
2. Press the "EJECT" button on the panel, the screen shows OPEN, and the machine automatically sends out the tray.
3. Place the disc on the tray.
4. Press the "EJECT" button again, the screen shows CLOSE, and the disc reads (CORD) after 2S.
5. After reading the disc normally, all discs will automatically play in a loop..
6. After pressing the stop key, the total track and total time display are stopped.
7. Press the Play button to play all loops again.
8. Insert a USB device or SD card, and press the USB / CD button on the remote control to read the contents and operate it through the remote control or the function buttons on the panel.  
(Note: USB devices support up to 8GB)
9. If there is no disc in the CD player, it will automatically switch to read USB device or SD card.
10. The effective range of the remote control should be within 6 meters, and the effective remote control angle is  $\pm 45$  degrees.
11. Press the remote control to control the corresponding CD and MP3 functions.
12. Press the "A / F / B" key on the panel to select the Bluetooth mode. Turn on the Bluetooth of the mobile phone. After FLP-CD930 device is searched, click to enter the default connecting code: 8888. The mobile phone will automatically connect. After that, you can play your phone's music normally.

### CONNECTION:



## 5. BLOCK DIAGRAM





## 6. SPECIFICATIONS

Model	FLP-CD930
Frequency Response	20Hz~20KHz(-2dB)
THD	≤0.1%
Channel Crosstalk	65dB
Dynamic Range	75dB
SNR	85dB
CD Audio Output	0.775V
Radio Frequency	FM: 87.5MHz-108.0MHz, AM: 522KHz-1620KHz
Antenna input impedance	FM: 75Ω (unbalanced), AM: low impedance loop antenna
Sensitivity	FM: ≤10uA, AM: ≤100uA
Radio storage	99
Radio audio output	0.775V
Power Supply	~240V 50Hz
Dimension	484X209X44mm
Net weight	3.8Kg

