

PRODUCT CATALOGUE 2023

PUBLIC ADDRESS SYSTEM

PA SPEAKER

PRO SOUND SYSTEM



FLEPCHER™

TABLE OF CONTENTS

PA Equipment

NO.	MODEL	PA EQUIPMENT	
1.	ACU-9061	AUTOMATIC CHANGEOVER UNIT	10
2.	BC-115	AUTOMATIC BATTERY CHARGER	11
3.	CD-930	CD-PLAYER	12
4.	EP-9062	EMERGENCY PAGING MICROPHONE PANEL	13
5.	MA-1120 / 1240	MIXER AMPLIFIER with USB / Tuner / Bluetooth	14
6.	MA-6120 / 6240	6-ZONE MIXER AMPLIFIER with Bluetooth / MP3 / FM Tuner	15
7.	MP-9012	12 CHANNELS MONITOR PANEL	16
8.	MXC-4.4MKII	PRE-AMPLIFIER	17
9.	MXC-1002	PRE-AMPLIFIER	18
10.	PA-120BMKIII / 250BMKIII / 360BMKIII / 500BMKIII	POWER AMPLIFIER	19
11.	PMC-001	PAGING MICROPHONE	20
12.	PMC-010	DIGITAL PAGING CONSOLE	21
13.	PMC-012 + PMCE-012	12-CHANNEL PAGING CONSOLE	22
14.	PMC-1001	DIGITAL PAGING CONSOLE	23
15.	PPA-0835	PORTABLE MULTIMEDIA SPEAKER	24
16.	PPA-1250	PORTABLE MULTIMEDIA SPEAKER	25
17.	PS-9024	DC POWER SUPPLY MODEL	26
18.	PS-9800MKII	POWER SEQUENCER	27
19.	VC-505RF / 5030WF / 5060WF / 5120WF	VOLUME CONTROL	28
20.	VC-606P / 624P / 650P	PREMIUM VOLUME CONTROL	29
21.	VC-BB	VOLUME CONTROL BACK BOX	30
22.	ZS-1012	12-CHANNEL ZONE SELECTOR	31
23.	ZS-9810	10-CHANNEL UNINTERRUPTED ZONE SELCTOR	32
24.	ZS-9812MKII	12-CHANNEL ZONE SELECTOR	33

TABLE OF CONTENTS

PA Speakers

NO.	MODEL	SPEAKERS	
1.	BS-301W	WATERPROOF BOX SPEAKER	36
2.	BS-506	BOX SPEAKER	37
3.	BS-510	BOX SPEAKER	38
4.	CS-3	CEILING SPEAKER	39
5.	CS-4 / 4P	CEILING SPEAKER	40
6.	CS-0611	CEILING SPEAKER	41
7.	CX-530 / 840	COAXIAL CEILING SPEAKER	42
8.	SCS-610	SURFACE CEILING SPEAKER	43
9.	FS-315 / 530 / 860	FASHION SPEAKER	44
10.	FS-3001	FASHION SPEAKER	45
11.	GS-630	OUTDOOR GARDEN SPEAKER	46
12.	HS-15 / 5001	ALUMINIUM HORN SPEAKER	47
13.	HS-2001 / 3001	ABS HORN SPEAKER	48
14.	HS-3002	RECTANGULAR HORN SPEAKER	49
15.	HS-5002 / 3003	REFLEX HORN SPEAKER	50
16.	PS-2001	PROJECTOR SPEAKER	51

TABLE OF CONTENTS

Pro-Sound System

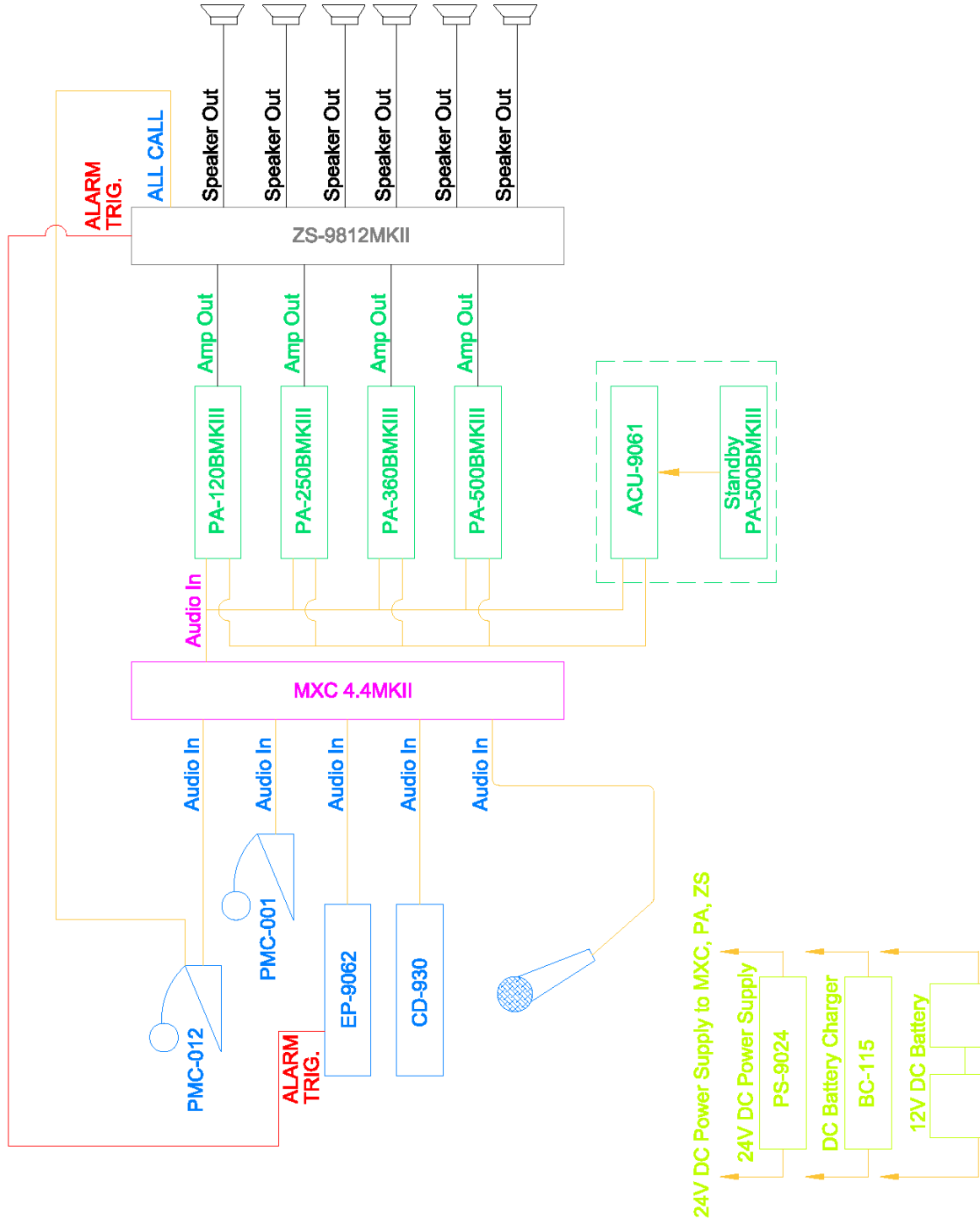
NO.	MODEL	PRO-SOUND EQUIPMENT	
1.	E-SERIES	E-SERIES PROFESSIONAL SPEAKER	53
2.	NX-SERIES	NX-SERIES PROFESSIONAL SPEAKER	54
3.	SW-SERIES	SW-SERIES SUBWOOFER UNIT	55
4.	MT-1201	MT-SERIES POWER AMPLIFIER	56
5.	MT-PRO 300/500/700/1000	MT-PRO SERIES POWER AMPLIFIER	57
6.	MT-PRO 1200S	MT-PRO SMPS SERIES SWITCHING POWER AMPLIFIER	58
7.	PS-15-EC	15" PROFESSIONAL STAGE SPEAKER CABINET	59

IPPA System

NO.	MODEL	PRO-SOUND EQUIPMENT	
1.	IP-MS3000	IP MAIN SERVER	62
2.	IP-PMC3100	IP PAGING MICROPHONE	63
3.	IP-ET3004	IP EMERGENCY TERMINAL	64
4.	IP-ZA3001	IP NETWORK ADAPTER	65
5.	IP-ZA3016	IP NETWORK ADAPTER WITH 16 ZONES	66
6.	IP-AMP120/240/350/500	IP POWER AMPLIFIER	67
7.	IP-CS3068	IP POE CEILING SPEAKER	68

**PUBLIC
ADDRESS
BASIC
LINE-UP**





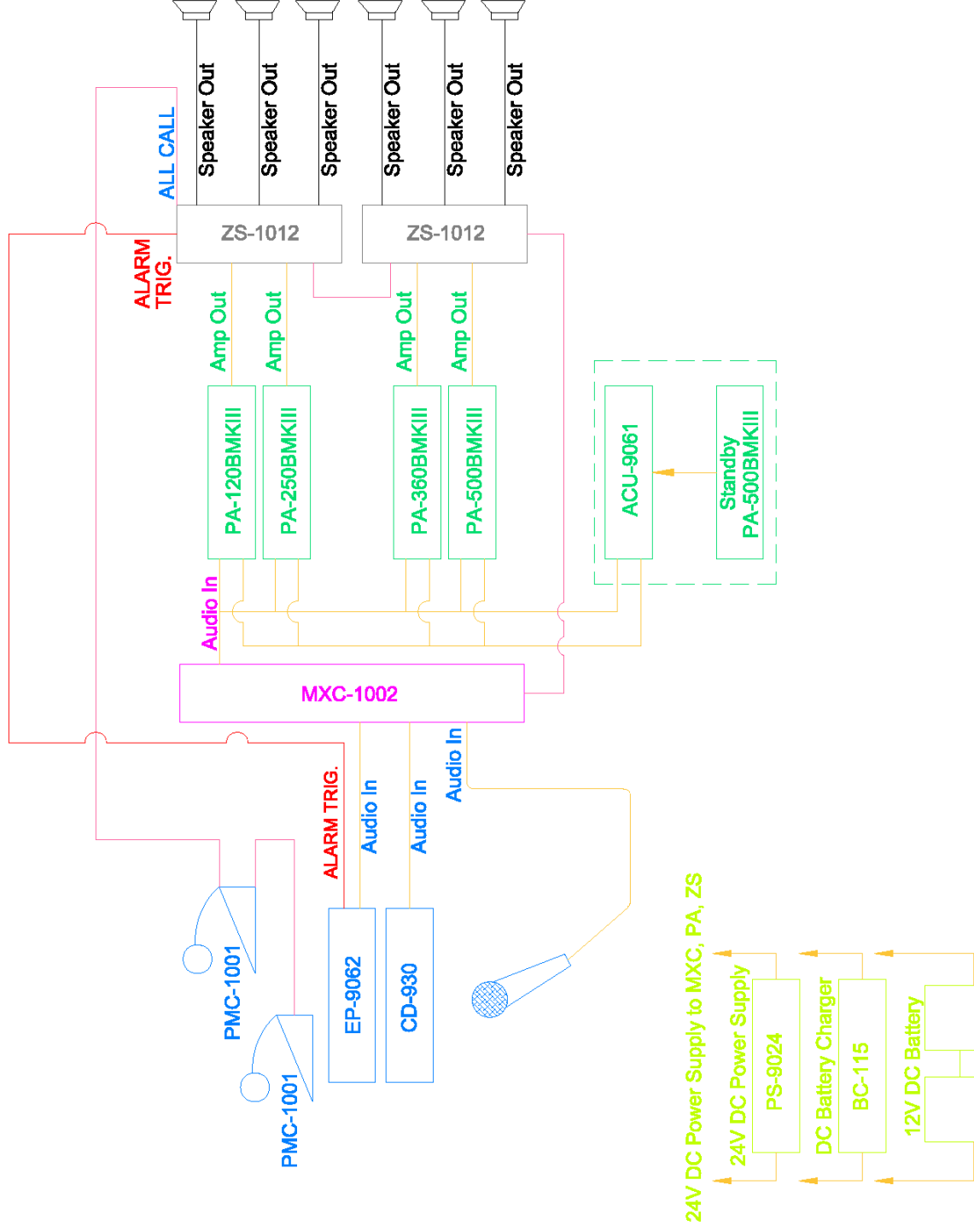
PMC-001	Paging Microphone
PMC-012	12-Channel Paging Console
CD-930	CD/MP3 Player with Tuner & Bluetooth
EP-9062	Emergency Panel
MXC 4.4MKII	Pre-Amplifier
PA-120BMKIII	120W Power Amplifier
PA-250BMKIII	250W Power Amplifier
PA-360BMKIII	360W Power Amplifier
PA-500BMKIII	500W Power Amplifier
ZS-9812MKII	12-Channel Zone Selector
ACU-9061	Automatic Changeover Unit
PS-9024	DC Power Supply Model
BC-115	Automatic Battery Charger

— Twister Pair Speaker cable

— 2 Core Screen Audio cable

BASIC PUBLIC ADDRESS SYSTEM SCHEMATIC 1

PMC-1001	Digital Paging Console
EP-9062	Emergency Panel
CD-930	CD/MP3 Player with Tuner & Bluetooth
MXC-1002	Pre-Amplifier
PA-120BMKIII	120W Power Amplifier
PA-250BMKIII	250W Power Amplifier
PA-360BMKIII	360W Power Amplifier
PA-500BMKIII	500W Power Amplifier
ZS-1012	12-Channel Zone Selector
ACU-9061	Automatic Changeover Unit
PS-9024	DC Power Supply Model
BC-115	Automatic Battery Charger

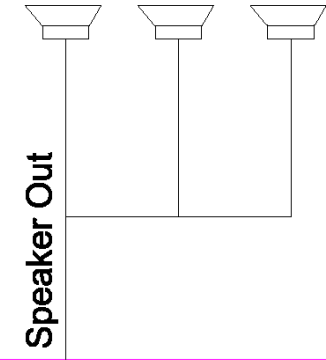


— Twister Pair Speaker cable

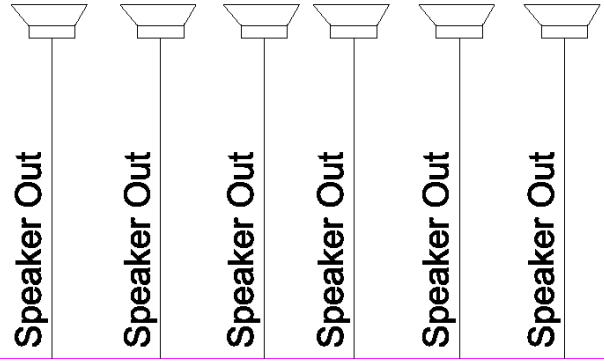
— CAT6 cable

— 2 Core Screen Audio cable

BASIC PUBLIC ADDRESS SYSTEM SCHEMATIC 2



MA-1120 / MA-1240



MA-6120 / MA-6240

PMC-001	Paging Microphone
CD-930	CD/MP3 Player with Tuner & Bluetooth
MA-1120 / MA-1240	Mixer Amplifier with USB / Tuner / Bluetooth
MA-6120 / MA-6240	6-Zone Mixer Amplifier with USB/Tuner/Bluetooth

- Twister Pair Speaker cable
- 2 Core Screen Audio cable

PUBLIC ADDRESS SYSTEM

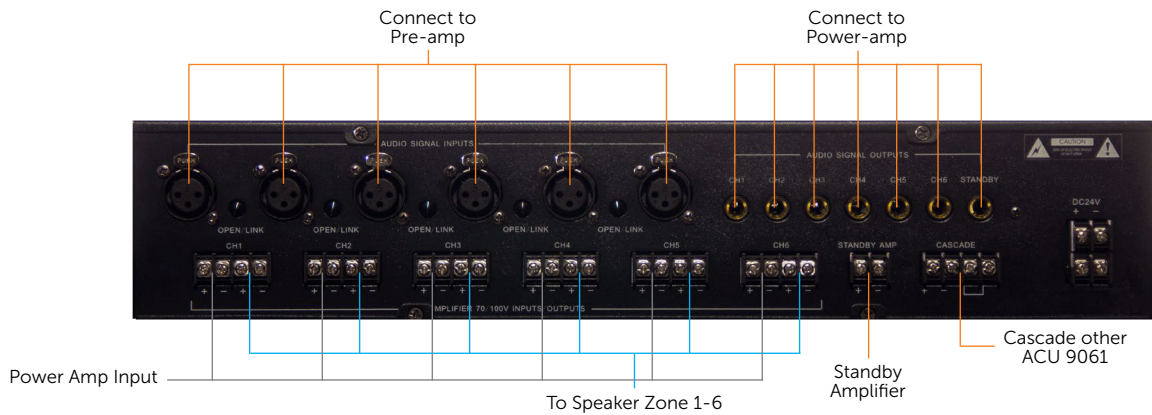


Product Features

- ❑ Cater for 6 duty amplifiers and 1 standby amplifier
- ❑ High sensitivity and accurate fault detection function, less than 2 seconds for changeover time
- ❑ Expandable for 1 standby to cater more than 6 duty amplifiers
- ❑ 6-channel audio source volume controls
- ❑ Built-in microcomputer detection system to realize auto amplifier fault changeover
- ❑ Overloading protection by allowing only a single take over
- ❑ LED indicator and switchable buzzer interface for fault alert

ACU-9061

AUTOMATIC CHANGEOVER UNIT



Technical Specifications

Power	220 – 240V AC 50-60Hz
Power Consumption	10W
Input Impedance	10kΩ
Detection Line	70 / 100V
Detection Level	50 Vrms min
Load Rating	1000W / 100V
Indicators	Green LED for main channel Red LED for changeover
Status of Indicators	Channel Working: ON Waiting for Changeover OFF Changeover: FLASH Alert: Switchable buzzer
Dimension (W x D x H)	484mm x 370mm x 88mm
Weight	4kg
Finish	Black

Product Features

BC-115

AUTOMATIC BATTERY CHARGER

- ❑ 24V Automatic battery charger with switching power technology
- ❑ Automatic charging with changeable DC voltage for 24V DC battery bank
- ❑ Digital voltmeter and ammeter display
- ❑ LED indicator for charging status
- ❑ Built-in fan for heat dissipation



Technical Specifications

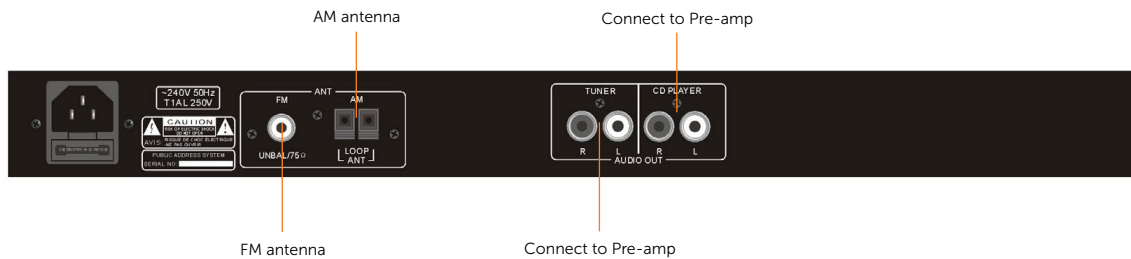
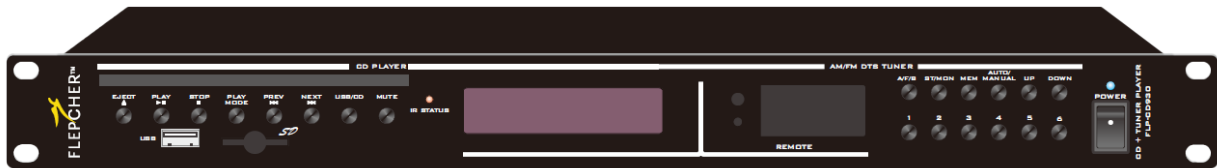
Power	220 – 240V AC 50-60Hz
Output Voltage Rating	27.1 – 27.3V
Charging Current	Maximum of 15A
Charging Mode	3-stage Charge Mode Stage 1 - Charging current: 15 ± 1.5A Stage 2 - Charging voltage: 28.8 – 29.4V Stage 3 – Floating voltage: 27.0 – 27.6V
Cut-off Current (Stage 2-3)	3.00 ± 1.0A
Maximum Output Power	450W
Ripple and Noise	< 360mA
Efficiency	> 80%
LED Indicators	Green – Fully Charged; Red - Charging
Display	Voltage and current
Terminal	Battery input
Dimension (W x D x H)	484mm x 210mm x 88mm
Weight	2.5kg
Finish	Black

Product Features

- ❑ Built-in CD player, Mp3 player, tuner & remote control
- ❑ Bluetooth, USB & SD inputs at the front panel for Mp3 player
- ❑ AM/FM tuner with memory of 99 bands each
- ❑ One CD/MP3 stereo output and one Tuner stereo output
- ❑ Two florescent screens to display CD/MP3 and tuner information separately in English
- ❑ Eject, Play, Stop, Play Mode, Prev, Next, USB/SD & Mute buttons for CD/MP3 player
- ❑ BT/AM/FM, ST/MON, MEO, Auto/Manual, Up and Down Cursor & 1-6 number buttons for Tuner
- ❑ 1U height and both tabletop & rack mount type
- ❑ Remote control over music selection and volume control

CD-930

CD PLAYER



Technical Specifications

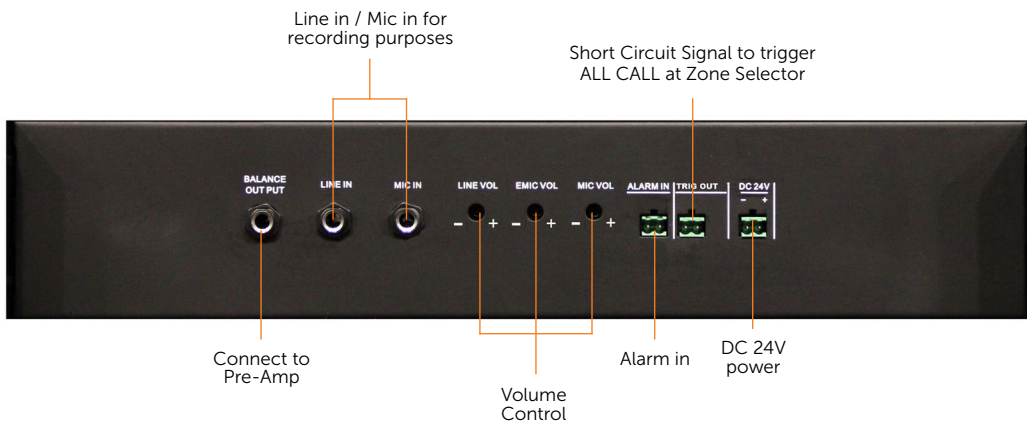
Frequency Response	20Hz – 20kHz (-2dB)
THD	≤ 0.1%
Channel Separation	65dB
Dynamic Range	75dB
S/N Ratio	85dB
Audio Output	0.775V
Tuning	FM: 87.5 – 108.0MHz AM: 522 – 1620kHz
Antenna Input	FM: 75Ω Unbal AM: Low impedance loop antenna
Sensitivity	FM: ≤ 10uA, AM: ≤ 100uA
Audio Output	0.775V
Power Supply	~110V / 60Hz or -230V / 50Hz
Dimension (W x D x H)	484mm x 209mm x 44mm
Weight	3.8kg
Finish	Black

Product Features

EP-9062

EMERGENCY PAGING MICROPHONE PANEL

- ❑ “FIRE” LED display panel with flashing indicator
- ❑ 50 seconds message recording
- ❑ Short circuit to activate ALL CALL at zone selector
- ❑ Built-in siren
- ❑ Volume control for handheld mic and recording mic



Technical Specifications

Power Supply	24V DC / 500mA
Rec Signal Input	MIC Input $\geq 8mV$, Unbalanced Line Input $\geq 330mV$, Unbalanced
Balance Output	SIREN / PLAY / EMIC $\geq +5V, \leq -5V$, Balanced signal
Alarm Input	Short-circuit signal input
Trigger Output	Short-circuit signal activation output
Alarm Activation Mode	Manual operation / Short-circuit signal
Power Consumption	$< 10W$
Dimension (W x D x H)	484mm x 366mm x 88mm
Weight	5kg

Product Features

- ❑ With MP3 / Tuner / Bluetooth functions mixer amplifier and digital screen to display current music from USB
- ❑ Suitable for small scale application for paging and BGM
- ❑ Remote control over USB / Tuner / Bluetooth
- ❑ 1 EMC input, 2 AUX input, 4 MIC INPUT with individual volume control
- ❑ Channel priority: MIC1 > EMC > MIC2, MIC3, AUX1, AUX2
- ❑ MIC1-4, balanced input, build-in 48V phantom power

MA-1120/ MA-1240

MIXER AMPLIFIER with
USB / Tuner / Bluetooth



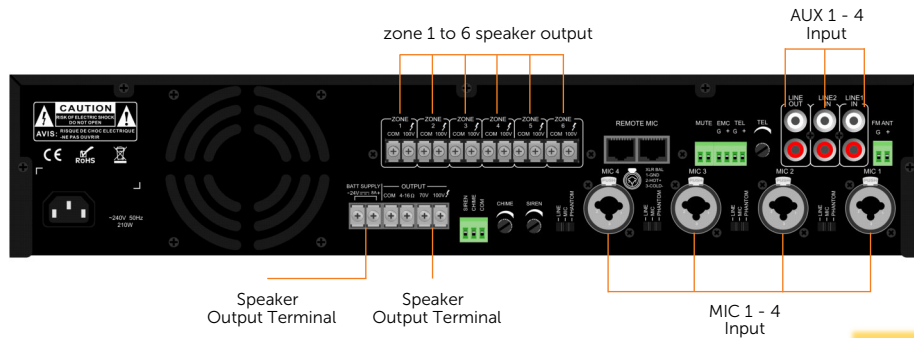
Technical Specifications

Model	MA-1120	MA-1240
Rated Power	120W	240W
Output Power	70V, 100V	
Input sensitivity	MIC: 5mV ± 1mV; LINE: 350mV ± 20mV AUX: 350mV ± 20mV; EMC: 775mV ± 40mV	
Pre-output	AUDIO OUT: 1V ± 50mV / 100Ω	
MIC Tone / Music Tones	Low Frequency: ± 10dB at 100Hz High Frequency: ± 10dB at 10Hz	
Effector Parameter		
Frequency Responses	AUDIO OUT: 20Hz ~ 20kHz (± 3dB) MIC: 200Hz ~ 16kHz (± 3dB)	
SNR	MIC: ≥ 65 dB; Music: ≥ 70dB	
THD	THD+N ≤ 0.1%	
Indicator	Power Indicator	
Short-Circuit Mode	Short-circuit, No voltage	
Protection Mode	Overheat / Short-circuit	
Voltage	~240V 50Hz	
Power Consumption	200W	370W
Weight	3.6kg	3.7kg
Dimension (W x D x H)	484mm x 295mm x 44mm	

MA-6120/ MA-6240

6-ZONE MIXER AMPLIFIER with Bluetooth / MP3 / FM Tuner

- ❑ Supports MP3/USB/SD/Bluetooth/FM radio function with remote controller and MIC recording function
- ❑ Comes with 4-channel MIC inputs, 2-channel line inputs with individual volume, base and treble control.
- ❑ 6 Zones speaker outputs with individual volume control function
- ❑ Built-in alarm function provides activation to all 6 zones by overriding the BGM
- ❑ Input Priorities: EMC > Siren trigger > Chime trigger > MIC1 > MIC2, MIC3, MIC4, AUX1, AUX2
- ❑ MIC1 to MIC4 built-in 48V phantom power
- ❑ Built-in DC 24V power supply



Technical Specifications

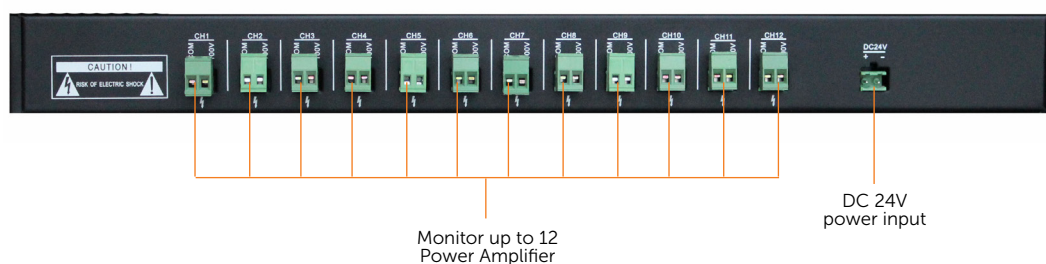
Model	MA-6120	MA-6240
Amplifier Section	120W (RMS)	240W (RMS)
Speaker Zone	25W max	50W max
Input sensitivity / Impedance	Speaker: 5mV 600Ω / 350mV 10kΩ BAL; MIC: 350mV / 47kΩ; LINE: 0.775V / 10kΩ TEL Audio: 0.775V / 10kΩ; Remote MIC: 775mV / 10kΩ	
S/N Ratio (Input)	MIC: ≥75dB; LINE: ≥80dB; TEL Audio: ≥75dB; EMC: ≥75dB	
Frequency Response	MIC: 80 – 16kHz; LINE: 80 – 16kHz; TEL Audio: 50 – 16kHz; EMC: 80 – 16kHz	
Tone Control	MIC: Bass (100Hz), Treble (10kHz): ± 10dB; High Frequency: ± 10dB at 10Hz LINE: ± 10dB	
Phantom Power	± 48V	
Pre-Amp Out (MIC1-4, LINE1-2)	1V / 600Ω	
THD	Less than 0.1% at 1kHz, 1/3 Rated power	
Power Supply	~110V / 60Hz or 230V / 50Hz & DC 24V	
Power Consumption	180W	320W
Weight	6.5kg	7.1kg
Dimensions (W x D x H)	484mm x 310mm x 88mm	

Product Features

- ❑ Ability to monitor up to 12 amplifier outputs
- ❑ 12 LED Channel Indicators and 5-segment LED level meter for visual monitoring
- ❑ 12 Inputs for 70/100V line amplifier outputs
- ❑ 1W speaker with volume control for audio monitoring
- ❑ Can be used as a tool to calibrate sound output level for each amplifier
- ❑ Easy installation with 1U design

MP-9012

12 CHANNELS MONITOR PANEL



Technical Specifications

Power Supply	24V DC
Power Consumption	< 50mW
Input Channel	12 Channels
Input Signal Voltage	70V / 100V
Audio Monitoring	1W Speaker with Volume Controller
Visual Monitoring	Output Signal LED Meter
Dimension (W x D x H)	484mm x 245mm x 44mm
Weight	5kg

MXC-4.4MKII

PRE-AMPLIFIER

Product Features

- ❑ 6 MIC inputs, 4 AUX inputs and 1 REC output
- ❑ Individual gain controls for MIC
- ❑ Master volume control
- ❑ 4-Way audio source selection
- ❑ Power level Indicator
- ❑ Priority microphone broadcasting
- ❑ Bass and treble tone controls
- ❑ 24V DC back-up power supply interface



Technical Specifications

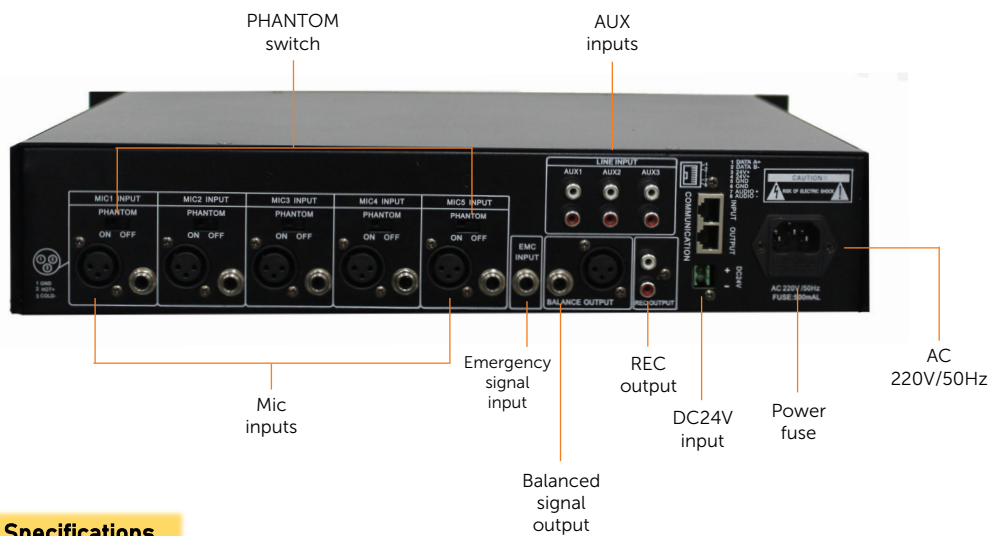
Features	4 Mono and 4 Stereo Pre-Amplifier
Input	6 Microphones and 4 Auxiliary Inputs
Output	Main and REC
Power Supply	230V AC 50/60Hz, 24V DC
Dimension (W x D x H)	484mm x 370mm x 88mm
Weight	7.8kg

Product Features

- ❑ Up to 200m transmission distance between PMC-1001 and MXC-1002
- ❑ Individual gain controls for MIC
- ❑ Power level indicator
- ❑ Priority microphone broadcasting
- ❑ Bass and treble tone control
- ❑ Priority relay to override DC signal

MXC-1002

PRE-AMPLIFIER



Technical Specifications

Input	MIC: 600Ω, ≤ 12mV, Unbalanced EMC: 10kΩ, ≤ 330mV, Unbalanced AUX: 10kΩ, ≤ 330mV, Unbalanced
Main Output	Main: 0.775V, 0dB, Balanced REC: 0.775V, Unbalanced
Frequency Response	60Hz – 15kHz
THD	< 0.5% at 1kHz
S/N Ratio	> 65dB
Tone	Bass: 100Hz (±10dB) Treble: 10kHz (±10dB)
Priority Level	PMC-1001 > EMC > MIC1,2,3,4,5 > AUX1,2
Function Control	9 Volume controller, Bass, Treble, Power Switch
Indicator	Power
Protection	AC Fuse 0.5A
Power Supply	AC220 – 240V @ 50/60Hz, DC 24V @ 500mA
Power Consumption	8W
Dimension (W x D x H)	483mm x 366mm x 89mm
Weight	5.96kg

PA-120BMKIII

/ **250BMKIII**

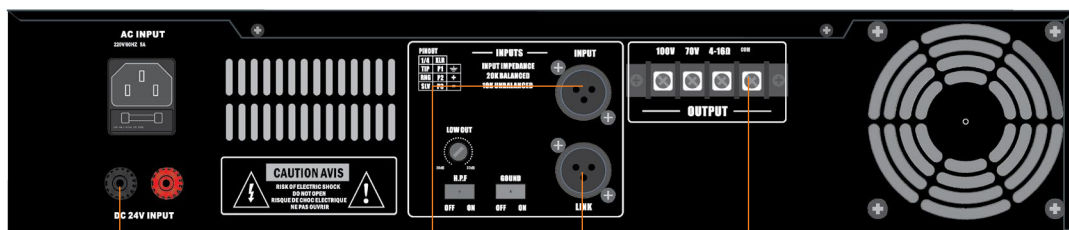
/ **360BMKIII**

/ **500BMKIII**

POWER AMPLIFIER

Product Features

- ❑ 100V / 70V constant voltage outputs with 4Ω speaker constant resistance outputs
- ❑ Reliable protection against overload, short-circuit and power fluctuation for optimum reliability
- ❑ Intelligent limiter
- ❑ Heat sinks and fan to protect against overheating
- ❑ Rubber pads and oblong mounting holes for easy installation
- ❑ Support DC 24V Power Supply



DC 24V input

Pre-Amplifier

Link to other power amplifier

Speaker output terminal

Technical Specifications

Model	PA120BMKIII	PA250BMKIII	PS360BMKIII	PA500BMKIII
Rate Power AC220V	120W	250W	360W	500W
Rate Power DC24V	120W	250W	360W	493W
Frequency Response	70Hz – 20kHz ± 1dB			
Low Cut	300Hz ± 3dB			
THD	< 0.1%			
SNR	> 97dB			
Damping Factor	> 200			
Slew Rate	> 20V / us			
Input Impedance	10k / 20k			
Voltage Gain (8Ω)	38dB			
Amplifier Type	Class AB			
Input Part	Balance Input XLR Female Socket, Unbalance Input XLR Male Socket			
	COM-22V(4Ω)-	COM-31V(4Ω)-	COM-38V(4Ω)-	COM-44V(4Ω)-
Output Part	70V (40.8Ω)-100V (83Ω)	70V (20.4Ω)-100V (41.7Ω)	70V (13.6Ω)-100V (27.8Ω)	70V (9.8Ω)-100V (20Ω)
Dimension (W x D x H)	484mm x 410mm x 88mm			
Net Weight	11kg	14kg	17kg	19kg
Gross Weight	12kg	15kg	18kg	20kg
Power	AC 240V ± 10V / DC 24V (17-29V)			

Product Features

- ❑ Condenser gooseneck microphone with illuminated ring
- ❑ Power switcher and indicator
- ❑ Option of AC power or DC battery
- ❑ Built-in chime

PMC-001

PAGING MICROPHONE



COMES WITH



Adapter

Battery Slot

Technical Specifications

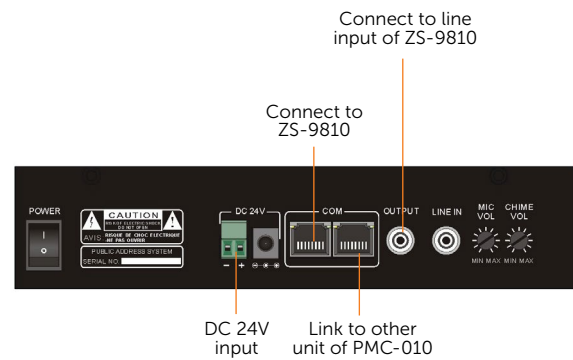
Capsule Type	Condenser
Polar Pattern	Cardiod
Power Supply	DC 9V / AC 12V
Frequency Response	60Hz – 18kHz
Impedance	600Ω
Sensitivity	-42dB
Dimensions (D x W x H)	125mm x 150mm x 500mm
Weight	1.1kg
Finish	Black

PMC-010

DIGITAL PAGING CONSOLE

Product Features

- ❑ Worked with ZS-9810
- ❑ Capacity of managing 30 paging selector
- ❑ Maximum remote control distance of up to 1km
- ❑ Microphone volume control
- ❑ RCA line input and output
- ❑ Built-in chime and chime volume control
- ❑ Cascade-able up to 16 units thru RJ45 ports



Technical Specifications

Input	MIC: 600Ω, 10mV , Unbalanced LINE: 10kΩ, 775mV, Unbalanced
Output	Balanced
Frequency Response	MIC: 100Hz – 15kHz; Line: 30Hz – 18kHz
S/N Ratio	MIC Input: 60dB; LINE Input: 80dB
Controls	Chime MIC Vol controls, 160 channel selectors, chime button, power switch
Indicators	Power LED, 10 paging channel LEDs
Protection	AC fuse, 0.5A
Power Supply	DC 24V
Power Consumption	10W
Communication Protocol	RS422
Communication Input	RJ45
Communication Speed	4800bps
Weight	1.25kg
Dimension (W x D x H)	220mm x 150mm x 50mm
Material & Finish	Panel: Steel Plate; black Case: Steel Plate; black Side Board: Plastic; black

Product Features

- ❑ Condenser gooseneck microphone adorned with illuminated ring
- ❑ Two RJ45 port for 12-zone triggering
- ❑ One XLR-balanced microphone output with volume control and LED display
- ❑ One 2-tone chime generator with volume control
- ❑ ALL CALL line out which link to extension unit PMCE-012 as well
- ❑ 12-Zone switches control with LED indicator
- ❑ DC 24V interface

PMC-012 + PMCE-012 12-CHANNEL PAGING CONSOLE



Technical Specifications

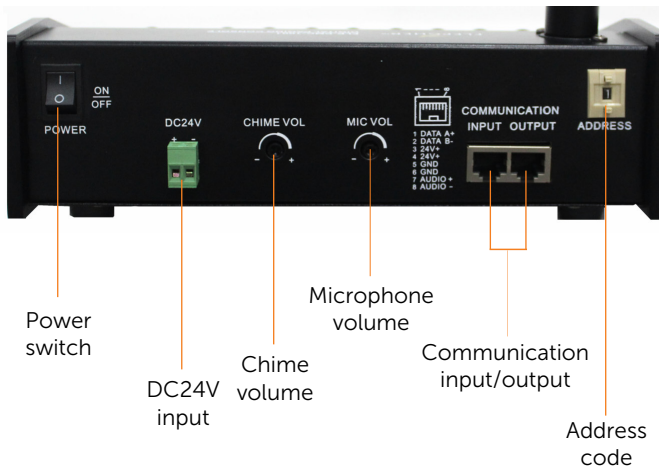
Model	PMC-012	PMCE-012
Power Requirements	24V DC	24V DC
Power Consumption	2W	1W
Output Level	± 775mV 600Ω, Balanced	-
S/N Ratio	> 60dB	-
Frequency Response	160Hz – 12kHz	-
Dimensions (W x D x H)	180mm x 150mm x 52mm	140mm x 150mm x 52mm
Weight	1.2kg	0.8kg
Material & Finish	Black	Black

PMC-1001

DIGITAL PAGING CONSOLE

Product Features

- ❑ Control distance between PMC-1001 and ZS-1012 is up to 500m
- ❑ Up to 8 units PMC-1001 can be cascaded
- ❑ Using RJ45 port to transfer audio signal
- ❑ Each PMC-1001 can control up to 8 units of ZS-1012
- ❑ 12-Zone switches control with LED indicator
- ❑ Condenser gooseneck microphone adorned with illuminated ring



Technical Specifications

Audio Output Signal	1.5V
Power Consumption	5W
Frequency Response	16Hz – 12kHz
Power Supply	24V DC @ 500mA
Dimensions (W x D x H)	245mm x 172mm x 73mm
Weight	1.6kg

Product Features

- ❑ Supports USB and FP card
- ❑ Supports Bluetooth
- ❑ Charging time of 10-12 hours for rechargeable battery
- ❑ Comes with a remote control
- ❑ Control panel of speaker volume, bass, echo, treble, and microphone volume
- ❑ Comes with 1 wireless microphone, 1 lavalier microphone and 1 AUX in

PPA-0835

PORTABLE MULTIMEDIA SPEAKER



Technical Specifications

Frequency Response	20Hz – 20kHz
Speaker	8" Full frequency speaker with 3" treble
Input Signal	1 wired microphone, 1 wireless microphone, 1 Wireless ear-hook microphone, 1 AUX in
Output Signal & Power	Line Out; RMS 35W, Peak 350W
Power Source	DC 9V IN and rechargeable battery
Battery	8800mAh
Charging Time	10-12 hours
USB & FP Card Reader Jack	Yes
Dimension (W x D x H)	280mm x 310mm x 500mm
Weight	5.4kg
Material & Finish	ABS; Black

Wireless Microphone

Frequency Range	VHF 259.1 & 247.2MHz
Coverage Range	50M
Active Range	> 80dB
Frequency Response	40 – 20kHz ± 3dB
SNR	> 90 dB
Battery Type	1.5V

PPA-1250

PORTABLE MULTIMEDIA SPEAKER

Product Features

- ❑ Support USB, SD/MMC Card
- ❑ Support MP3 music for outstanding acoustic quality
- ❑ 5+1 Channel EQ with capabilities to adjust treble & bass frequency
- ❑ Comes with 2 wireless microphone
- ❑ Vivid display screen
- ❑ Comes with a remote control



FREE
2pcs hand-held
microphones

Technical Specifications

Frequency Response	20Hz – 20kHz
Speaker	12" Full frequency speaker with treble
Input Signal	1 wired microphone, 2 wireless microphones, 1 AUX in and 1 AUX out
Output Signal & Power	Line Out; RMS 50W, Peak 500W
Power Source	AC 110 – 240V and rechargeable battery
Battery	4.5Ah
Charging Time	8-12 hours
EQ Mode Control	5+1 Channel
USB & SD Card Reader Jack	Yes
Microphone Priority	Yes
Dimension (W x D x H)	390mm x 415mm x 640mm
Weight	12.15kg
Material & Finish	ABS; Black

Wireless Microphone

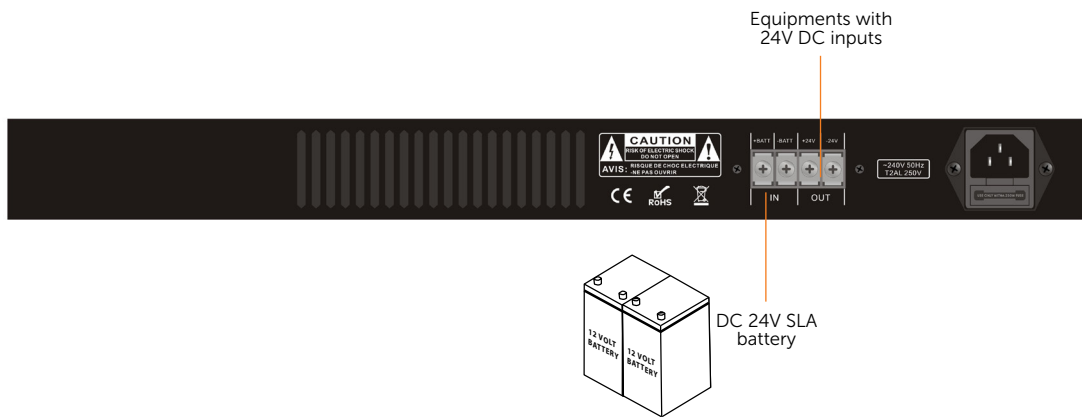
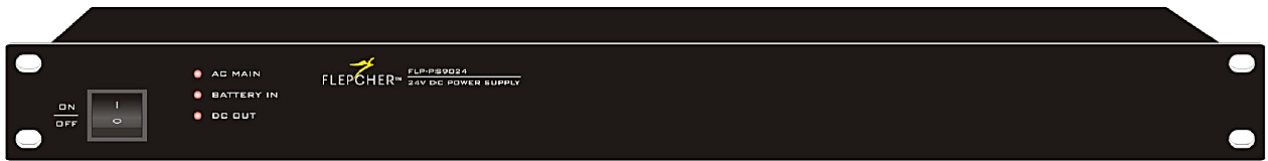
Frequency Range	VHF 259.1 & 247.2MHz
Coverage Range	50M
Active Range	> 80dB
Frequency Response	40 – 20kHz ± 3dB
SNR	> 90 dB
Battery Type	1.5V

Product Features

- ❑ Provides 24V DC output voltage with max 4A
- ❑ Back-up battery of 24V DC SLA
- ❑ LED interface to indicate status
- ❑ Short-circuit protection
- ❑ Overload protection
- ❑ Self-healing protection
- ❑ Over-voltage protection

PS-9024

DC POWER SUPPLY MODEL



Technical Specifications

Connectors	DC and AC Power Interface
Power Requirement	220 – 240V AC 50 – 60Hz; 24V DC
Rating Output Voltage	24V DC
Dimension (W x D x H)	484mm x 154mm x 88mm
Weight	3kg
Finish	Black

PS-9800MKII

POWER SEQUENCER

Product Features

- ❑ 8 Channels outputs with maximum of AC 220V (10A) per channel
- ❑ 8 LED indicators for 'ON' and 'OFF' status
- ❑ The full capacity of power socket gets 6kVA
- ❑ 1 Input interface with 24V fire signal and 1 signal output triggered by fire short circuit emergency



Technical Specifications

Power Supply	110V / 60Hz or 230V / 50Hz; 24V DC
Power Consumption	35W
Step Timing	1 second
Indicators	Power, Channel ON or OFF
Dimension (W x D x H)	484mm x 255mm x 44mm
Weight	4kg
Finish	Black

Product Features

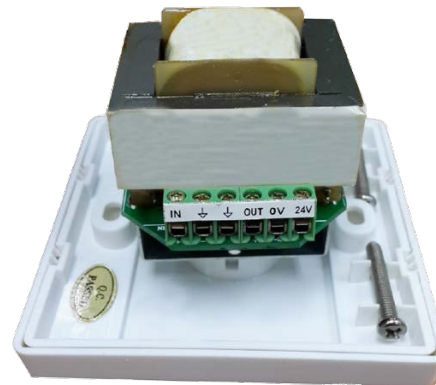
- ❑ Control by resistive or transformer technology
- ❑ Unique low profile design
- ❑ 5 Positions (including OFF)
- ❑ High quality 5 step transformer system for excellent reliability
- ❑ 24V DC overriding function
- ❑ Durable outer cover for higher reliability

VC-505RF/5030WF /5060WF/5120WF

VOLUME CONTROL



VC-505RF



VC-5030WF/5060WF/5120WF

Technical Specifications

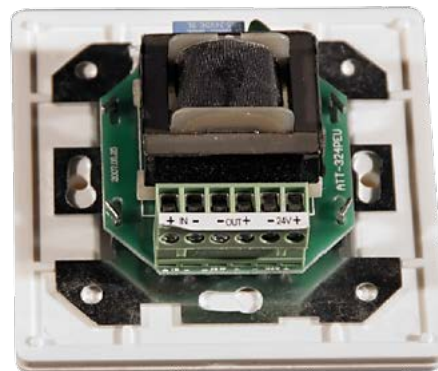
Model	VC-505RF	VC-5030WF	VC-5060WF	VC-5120WF
Type	Resistive	Resistive	Resistive	Resistive
Power Rating	6W	30W	60W	120W
Overriding Signal	24V DC 15mA	24V DC 15mA	24V DC 15mA	24V DC 15mA
Attenuation	Step 1: OFF Step 2: -4dB Step 3: -1dB Step 4: -0.5dB Step 5: -0dB	Step 1: OFF Step 2: -17dB Step 3: -11dB Step 4: -4.5dB Step 5: -0dB	Step 1: OFF Step 2: -18dB Step 3: -11dB Step 4: 15dB Step 5: -0dB	Step 1: OFF Step 2: -17dB Step 3: -11dB Step 4: -5.5dB Step 5: -0dB
Frequency Response	20Hz – 20kHz	20Hz-20kHz	20Hz-20kHz	20Hz – 20kHz
Dimension (H x W x D) mm	86 x 86 x 50	86 x 86 x 62	86 x 86 x 70	86 x 86 x 78
Weight	62g	135g	295g	503g
Material & Finish	High Impact ABS in white			

VC-606P/ 624P / 650P

PREMIUM VOLUME CONTROL

Product Features

- ❑ Unique premium design
- ❑ 11 Positions (Including OFF)
- ❑ Total attenuation of 33dB
- ❑ Durable outer cover for higher reliability



Technical Specifications

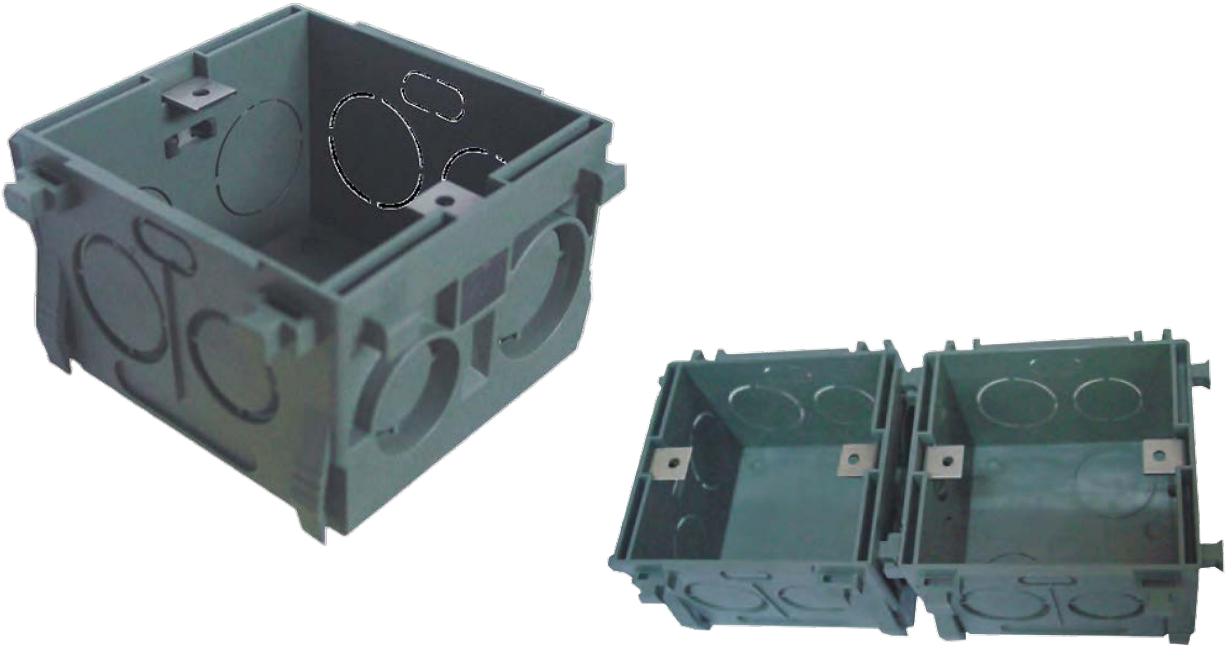
Model	VC-606P	VC-624P	VC-650P
Type	Resistive	Transformer	Transformer
Power Rating	6W	24W	50W
Overriding Signal	24V DC 15mA	24V DC 15mA	24V DC 15mA
Attenuation	Step 1: OFF Step 2: -33dB Step3: -27dB Step 4: -21dB Step 5: -18dB Step 6: -15dB Step 7: -12dB Step 8: -9dB Step 9: -6dB Step 10: -3dB Step 11: 0dB	Step 1: OFF Step 2: -33dB Step3: -27dB Step 4: -21dB Step 5: -18dB Step 6: -15dB Step 7: -12dB Step 8: -9dB Step 9: -6dB Step 10: -3dB Step 11: 0dB	Step 1: OFF Step 2: -33dB Step3: -27dB Step 4: -21dB Step 5: -18dB Step 6: -15dB Step 7: -12dB Step 8: -9dB Step 9: -6dB Step 10: -3dB Step 11: 0dB
Frequency Response	20Hz – 20kHz	20Hz-20kHz	20Hz-20kHz
Dimension (H x W x D) mm	87 x 87 x 58	87 x 87 x 68	87 x 87 x 72
Weight	105g	182g	245g
Material & Finish	High Impact ABS in white		

Product Features

The VC-BB has the special protective feature made of ABS material to house the volume control unit. It is designed to protect and ensure the core volume control is in stable and working condition all the time. Easy to use and install, this unit is flexible as it can fit most of the volume control's sizes available in the market today. Two or more of these units can be joined to ensure a neat, fitting and tidy installation. Available in grey colour.

VC-BB

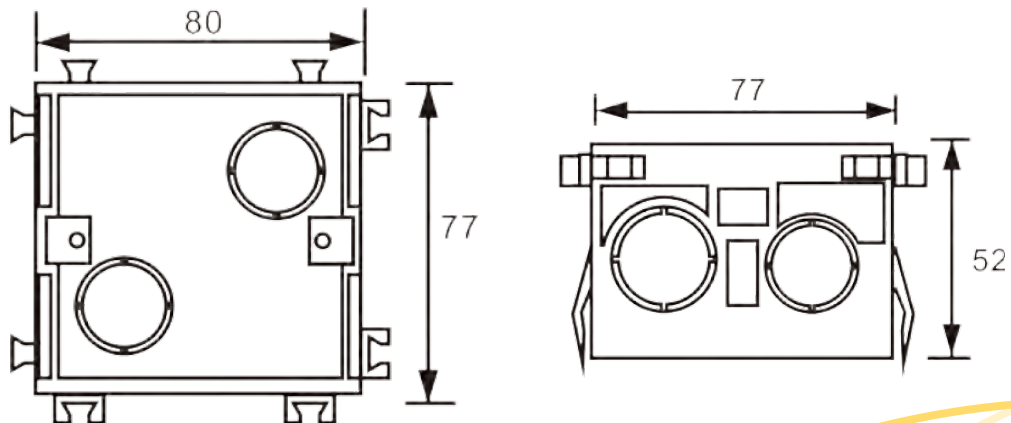
VOLUME CONTROL BACK BOX



Boxes can be joined

Technical Specifications

Dimension (mm)	80 x 77 x 52
Material	ABS
Colour	Grey

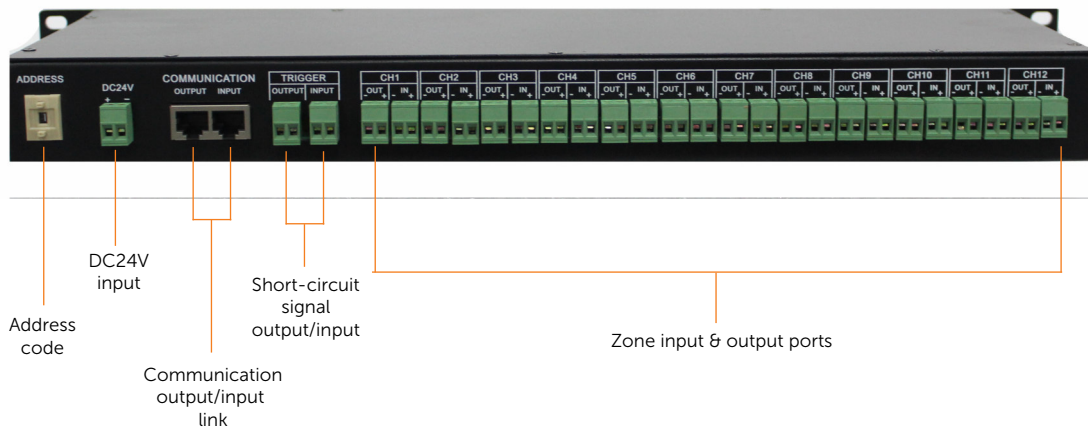


Product Features

ZS-1012

12-CHANNEL ZONE SELECTOR

- ❑ The power capacity for one zone is 250W, making it 3000W for all 12 zones
- ❑ Powered by voltage supply of DC 24V
- ❑ Cascade-able up to 8 units of zone selector and 8 unit of PMC-1001 to manage max 96 zones
- ❑ An ALL CALL button for simultaneous activation of all zones
- ❑ A priority triggering port feature for connection to handheld emergency paging microphone
- ❑ Priority relay to override DC signal



Technical Specifications

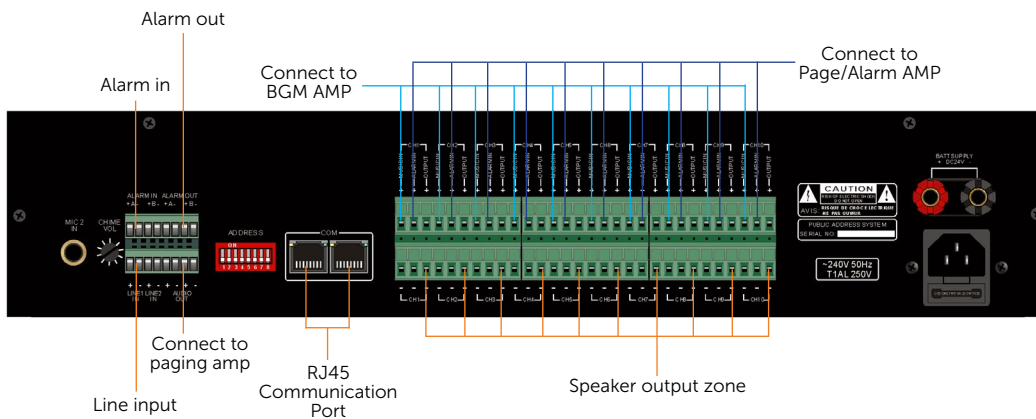
Power Consumption	13W
Zone Load Rating	250W at 100V amplifier outline
Operating Voltage	24V DC @ $\geq 1A$
Cable Size	Up to 2.5mmsq
Dimension (W x D x H)	485mm x 155mm x 44mm
Weight	2.0kg
Finish	Black

Product Features

- ❑ The power capacity for one zone is 500W, making it 5000W for all 10 zones speaker output terminals
- ❑ Volume control over MIC1-2
- ❑ All zone alarm in (A/B 2 channels) and all zone alarm output (A/B 2 channels)
- ❑ Microphone 1-2 inputs, LINE 1-2 inputs, Audio output
- ❑ 3-Levels of input priority: EMC > MIC1 > Remote Paging Console
- ❑ Indicators for Zone 1-10 selector, music/paging switch and all-zone selector
- ❑ 2 RJ45 communication ports for cascading purposes

ZS-9810

10-CHANNEL UNINTERRUPTED ZONE SELECTOR



Technical Specifications

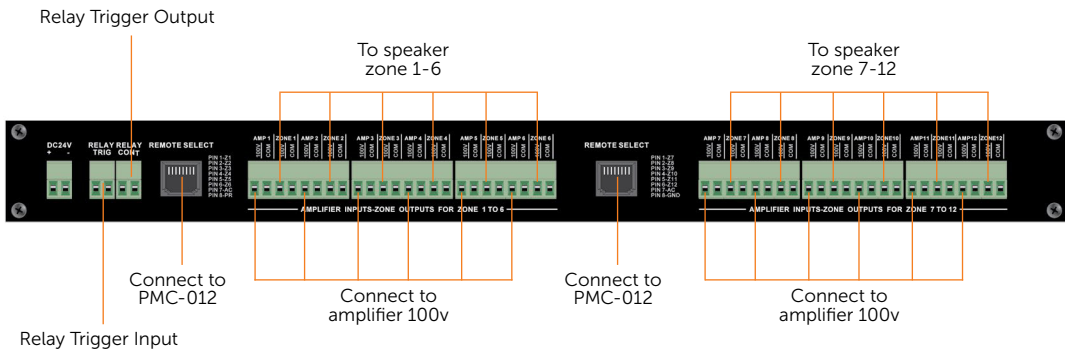
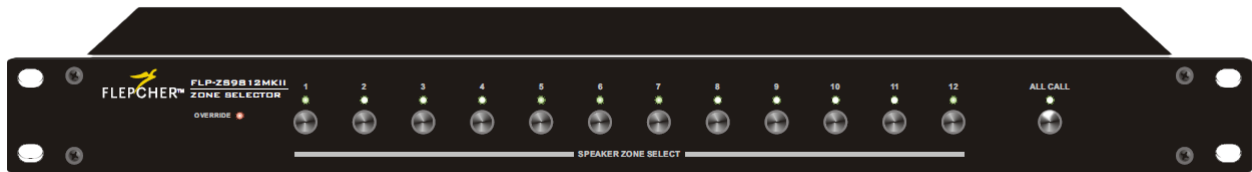
Input	MIC1,2: 600Ω, 5mV, Unbalanced LINE1,2: 10kΩ, 775mV, Unbalanced
Output	80dB
Frequency Response	MIC: 100Hz – 15kHz; LINE: 30Hz – 18kHz
S/N Ratio	MIC Input: 60dB; Line Input: 80dB
Controls	MIC1,2 gain controls, 10 channel selectors, chime button, power switch
Indicators	Power LED, 10 Paging channel LEDs
Protection	AC Fuse, 1A
Power Supply	~110V / 60Hz or ~230V / 50Hz or DC 24V
Power Consumption	40W
Communication Protocol	RS422
Communication Input	RJ45
Communication Speed	4800bps
Weight	4.6kg
Dimension (W x D x H)	484mm x 350mm x 88mm
Material & Finish	Panel: Aluminium plate, Black Case: Steel plate, Black

Product Features

ZS-9812 MKII

12-CHANNEL ZONE SELECTOR

- ❑ 12 Individual zones selection
- ❑ An ALL CALL button for simultaneous activation of all zones
- ❑ Deactivated zone selector switches and muting the BGM temporarily when remote paging microphone is in use
- ❑ A priority triggering port feature for connection to handheld emergency paging microphone
- ❑ Priority relay to override DC signal



Technical Specifications

Power Consumption	6:8W or 0.28A at ALL CALL
Zone Load Rating	400W at 100V amplifier line output
Operating Voltage	24V DC via adaptor
Connections	Detachable connectors
Cable Size	Up to 2.5mmsq
Dimension (W x D x H)	484mm x 132mm x 44mm
Weight	2.1kg
Finish	Black

**PUBLIC
ADDRESS
SPEAKER**



OVERVIEW OF SPEAKERS



BOX SPEAKER



FASHION SPEAKER



CEILING SPEAKER



GARDEN SPEAKER



HORN SPEAKER



PROJECTOR SPEAKER

BS-301W

WATERPROOF BOX SPEAKER



Design to blend with the environment, the BS-301W total size of 120mmx120mmx60mm will definitely avoid gazes from the public. Small yet able to reproduce crisp quality sound, this speaker is suitable for boutique shops, café and lounges where the sound produced complements the ambience. With a frequency response of 400Hz-10kHz and a power rating of 3W, the BS-301W is capable of being a part of the background music speaker system or a public announcement system. Adding BS-301 into your speaker system would definitely be a perfect addition. It comes in white finish ABS panels.

Technical Specifications

Rated Power	3W
Frequency Response	400-10kHz
SPL (1W, 1M) dB	89dB
Impedance	8Ω
Tapping Power	3/1.5W (100V)
Line Input	100V
Dimension (HxWxD)	120 x 120 x 60mm
IP Rating	IP 44

Physical

Material & Finish	ABS; White
Grille	ABS Plastic
Speaker	3 inch
Weight	0.4kg



BS-506

BOX SPEAKER

The BS-506 uses a power rating of 6W with the ability to power tap (3/1.5/0.75W) is suitable for different installation setup. With a wide frequency response of 150Hz-15kHz and a SPL of 90dB, the BS-506 is an ideal speaker for shopping malls, lounges and boutiques. Even though it is small in size, this unit has the ability to reproduce quality sound in detail. This unit is finished with white ABS panels and equipped with a power tap controller.

Technical Specifications

Rated Power	6W
Frequency Response	150-15kHz
SPL (1W, 1M) dB	90dB
Impedance	8Ω
Tapping Power	6/3/1.5/0.75w (70.7v) 6/3/1.5W (100V)
Line Input	100V/70V
Dimension (HxWxD)	194 x 188 x 87mm

Physical

Material & Finish	ABS; White
Grille	ABS Plastic
Speaker	5 inch
Weight	0.5kg

BS-510

BOX SPEAKER



The modern head-turning design makes the BS-510 box speaker a standout choice for installation in public spaces such as shopping malls, lounges, offices or boutiques. It offers distinctive sound quality that complements its desirable outlook, which makes a perfect addition to spaces that demands the best of both worlds. It boosts a rated power of 10W that fits in with its 90dB SPL to lift its sound reproduction quality to the next level.

Technical Specifications

Rated Power	10W
Frequency Response	150-15kHz
SPL (1W, 1M) dB	90dB
Cone Type	Full Range
Impedance	8Ω
Tapping Power	10/5/2.5W
Line Input	100V
Dimension (HxWxD)	180 x 140 x 70mm

Physical

Material & Finish	ABS; White
Grille	ABS Plastic
Speaker	5 inch
Weight	0.6kg



CS-3

CEILING SPEAKER

The CS-3 has high quality overall design. It is highly adaptive as well as functional, equipped with 6W power rating and a 3W intermediate power setting. Additionally, the CS-3 has a sound pressure level of 92dB. This dual cone ceiling speaker provides an ideal instrument for various music and paging applications ranging from audio/visual to business and retail environment. With smooth-off axis coverage and versatile functionality, it is definitely a sort after product for many. It comes with a spring type mounting system for easier installation and it is made of white coated ABS panel with iron grill.

Technical Specifications

Rated Power	6W
Frequency Response	110-18kHz
SPL (1W, 1M) dB	92 ± 3dB
Cone Type	Dual Cone
Impedance	8Ω
Tapping Power	6/3W
Line Input	100V
Mounting Hole	∅ 200mm
Dimension (DxH)	∅ 230 x 80mm

Physical

Material & Finish	ABS; White (Panel) and Black (Cover)
Grille	Powder Coated Iron Mesh
Speaker	6 inch
Weight	0.9kg

CS-4/4P

CEILING SPEAKER



Designed specifically as a ceiling speaker, the CS-4 is a speaker in a league of its own. Equipped with a 6W power rating and capable of power tapping (1.5W/3W/6W) making it a highly adaptive speaker and useful in different installation setup. CS-4 is a reliable speaker that can be used in public announcement system, background music, audio/visual business and retail environment. Additionally, the speaker comes in a white ABS finish with a choice of iron grill or plastic grill.

Technical Specifications

Rated Power	6W
Frequency Response	90-16kHz
SPL (1W, 1M) dB	91dB
Cone Type	Full Range
Impedance	8Ω
Tapping Power	6/3/1.5W
Line Input	70 - 100V
Mounting Hole	∅ 183mm
Dimension (DxH)	∅225 x 99mm

Physical

Material & Finish	ABS; White
Grille	CS-4: Powder Coated Iron Mesh CS-4P: Plastic Grill
Speaker	6.5 inch
Weight	0.9kg

CS-0611

CEILING SPEAKER



Flepcher CS-0611 is the best cost-effective ceiling speaker for sound distribution in places like corridors, offices, halls and shops. When properly installed, it ensures an even coverage throughout the entire area. It is a 2.5 inch ceiling speaker with 6W power rating. It has a sound pressure level of 87dB and equipped with a spring type embedding mounting system for easier installation process.

Technical Specifications

Rated Power	6W
Frequency Response	120-20kHz
SPL (1W, 1M) dB	87 ± 3dB
Cone Type	Full Range
Impedance	8Ω
Tapping Power	6/3W
Line Input	100V
Mounting Hole	∅ 95mm
Dimension (DxH)	∅ 103 x 80mm

Physical

Material & Finish	ABS; White
Grille	Powder Coated Iron Mesh
Speaker	2.5 inch
Weight	0.5kg

CX-530/840

COAXIAL CEILING SPEAKER



Suitable for both background and sound reinforcement, the CX Series is a compact two way speakers that are ideal for installation where clear and high quality sound is necessary. Despite their portable size, the CX-530 and CX-840 offer surprisingly high frequencies coverage and extended bass response, thanks to their ported and tuned enclosure. Driving the true performance of CX Series is its tweeter, which is designed to work with a high quality long paper cone, and its woofer that is reinforced by a Mylar vibrating membrane. The back enclosure of both CX-530 and CX-840 is fitted with a rotating tabs mounting system and each unit is finished with white ABS panels.

Technical Specifications

Model	CX-530	CX-840
Rated Power	30W	40W
Frequency Response	80-20kHz	50Hz-18kHz
Cone Type	Coaxial	Coaxial
SPL (1W, 1M) dB	88 ± 3dB	88 ± 3dB
Impedance	8Ω	8Ω
Tapping Power	30/15/7.5/3.8W/8Ω	40/20/10/5W/8Ω
Line Input	100V	70V/100V
Mounting Hole	∅ 200mm	∅ 240mm
Dimension (DxH)	∅ 230 X 150mm	∅ 270 x 170mm

Physical

Material & Finish	ABS; White	ABS; White
Grille	Powder Coated Aluminium Mesh	Powder Coated Aluminium Mesh
Speaker	5" + 1"	8" + 1"
Weight	2kg	3kg



SCS-610

SURFACE CEILING SPEAKER

Reliable and highly versatile, the SCS-610 is a surface ceiling speaker to be recognized with. This contemporary designed speaker produces stunning sound reproduction that can command quite a presence even in public spaces like shopping malls, offices or governmental organization. Its efficiency is enhanced through the ease of usage, which complements the high-intelligibility of sound it has known to produce. This unit can be installed easily, without complicated instructions, in any drop ceiling with standard tiles. The SCS-610 provides users with convenience during installation as it can be installed without the need to cut away ceiling tile, using its unique surface mounting design.

Technical Specifications

Rated Power	10W
Frequency Response	90-16kHz
SPL (1W, 1M) dB	91dB
Impedance	8Ω
Tapping Power	10/5/2.5W
Line Input	100V/70V
Dimension (DxH)	∅ 230 X 115mm

Physical

Material & Finish	ABS; White
Grille	ABS Plastic
Speaker	6 inch
Weight	1.1kg

FS-315/530/860

FASHION SPEAKER



The FS Series is designed for visual appeal yet has the capabilities in producing quality sound reproduction. These head turning speakers provide high quality sound and reliable performance for places like restaurants, retail outlet, shopping malls and boutiques. Each model is equipped with different polypropylene speaker, depending on their size for low and medium frequencies. Additionally each model comes with a 1 inch tweeter dedicated for higher frequencies. Design with user friendly functionality in mind, each unit comes with a U-shaped swivel bracket to enable easy orientation. These units comes with a rotating switch to allow easy election of power.

Technical Specifications

Model	FS-315/315-B	FS-530/530-B	FS-860/860-B
Rated Power	15W	30W	60W
Frequency Response	90-20kHz	100Hz-20kHz	40Hz-20kHz
Cone Type	Two-way	Two-way	Two-way
SPL (1W, 1M) dB	88 ± 3dB	89 ± 3dB	88 ± 3dB
Tapping Power	15/10/5/2.5W	30/15/7.5/3.75W	60/30/15/7.5W
Line Input	100V/8Ω	100V/8Ω	100V/8Ω
Dimension (WxDxH)	115 x 130 x 195mm	162 x 182 x 242mm	418 x 275 x 255mm

Physical

Material & Finish	HIPS; White/Black	HIPS; White/Black	HIPS; White/Black
Grille	Powder Coated Aluminium Mesh	Powder Coated Aluminium Mesh	Powder Coated Aluminium Mesh
Speaker	3.5" + 1"	5" + 1"	8" + 1"
Weight	1.7kg	2.5kg	6.6kg

FS-3001

FASHION SPEAKER



The FS-3001 fashion speakers are designed for sophisticated PA systems where excellent speech and music reproduction are integral. The FS-3001 is comprised of a two-way compact speaker line units offering wide frequency response and higher, more powerful performance. These highly adaptable speakers are suitable for various venues and application, both indoor and outdoor. It comes with a built-in multi-tap transformer with screwdriver-adjustable power taps, ensuring convenience during installation and sound adjustment. Designed for easy installation, the speakers comes with mounting bracket or rear panel keyholes for horizontal or vertical surface mounting.

Technical Specifications

Rated Power	30W
Frequency Response	70Hz - 20kHz
Cone Type	Two-Way
SPL (1W, 1M) dB	90 ± 3dB
Tapping Power	30/20/10W (100V) 30/15/10/5W (70V)
Line Input	100V/70V/8Ω
Dimension (WxDxH)	128 x 196 X 295mm

Physical

Material & Finish	HIPS; White
Grille	Powder Coated Aluminium Mesh
Speaker	5" + 1"
Weight	3.6kg

GS-630

OUTDOOR GARDEN SPEAKER



Aesthetically built to blend in with the surrounding, the GS-630 is a garden speaker that is suitable for outdoor installation particularly gardens and parks. Do not be fooled by the look of this speaker, as it is capable of a frequency response of 80Hz-10kHz and a SPL of 92dB. The high range frequency response allows the GS-630 to operate in various systems. This reliable speaker is equipped with 70V/100V transformer which allows significant reduction in line losses on longer distance. The 6.5 inch speaker runs on 15W and 30W to meet different applications. The glass reinforced plastics material and an IP 65 rating makes sure that the speaker is able to withstand harsh weather and impacts.

Technical Specifications

Rated Power	30W
Frequency Response	80-10kHz
SPL (1W, 1M) dB	92dB
Tapping Power	30/15W
Line Input	100V/70V
Dimension (HxW)	340 X 270mm
IP Rating	IP 65

Physical

Material & Finish	Glass Reinforced Plastics
Speaker	6.5 inch

HS-15/5001

ALUMINIUM HORN SPEAKER



HS-5001



HS-15

The Flepcher's HS-15 and HS-5001 are designed specifically as a versatile horn speaker. Being able to response to frequencies from 380Hz all the way to 6.5kHz, it is highly appropriate for various installation be it indoor or outdoor. In addition, with SPL of 106dB to 109dB, it is highly effective for PA announcement being able to throw sound further without distorting the sound. Built with high quality aluminium material and certified IP 66 rating, it is designed to perform even in harsh weather. Its swivel bracket allow users to install these speakers on ceiling and walls.

Technical Specifications

Model	HS-15	HS-5001
Rated Power	15W	50W
Frequency Response	450Hz - 5kHz	380Hz – 6.5kHz
SPL (1W, 1M) dB	106 ± 3dB	109 ± 3dB
Tapping Power	15/7.5/3.8/ 1.9W/8Ω	50/25W
Line Input	100V/70V	100V/70V
Dimension (DxH)	∅ 200 x 230 mm	∅ 325 x 350 mm
IP Rating	IP 66	IP 66

Physical

Material & Finish	Aluminium; Grey	Aluminium; Grey
Weight	1.3kg	2.3kg

HS-2001/3001

ABS HORN SPEAKER



HS-2001



HS-3001

The HS-2001 and HS-3001 give users a superb sound experience with its high quality acoustic. They are equipped with 70V/100V line matching transformer with a power rating of 15W to 30W. Material wise, they are made entirely of ABS plastic material that includes a swivel bracket for ceiling or wall mounting. Durable and weather resistant, they are perfect for both indoor and outdoor installations.

Technical Specifications

Model	HS-2001	HS-3001
Rated Power	15W	30W
Frequency Response	300Hz - 8kHz	350Hz – 8kHz
SPL (1W, 1M) dB	104 ± 3dB	108 ± 3dB
Tapping Power	15/7.5/3.8/1.9W/8Ω	30/15/7.5/3.8W/8Ω
Line Input	100V	100V
Dimension (DxH)	∅ 200 x 230 mm	∅ 246 x 292 mm
IP Rating	IP 66	IP 66

Physical

Material & Finish	ABS; Grey	ABS; Grey
Weight	1.3kg	2.1kg



HS-3002

RECTANGULAR HORN SPEAKER

Flepcher HS-3002, a horn speaker with IP 66 standard is suitable for both indoor and outdoor commercial sound system application for voice paging, background music and tone signaling distribution. It is capable of producing a wider frequency range with superior sound quality due to its woofer and tweeter driver units. The HS-3002 is optimized for outdoor installation with its sealed enclosure and weather resistant materials designed to withstand the harsh environmental condition. Each unit comes with a build-in 70/100V transformer with screw driver adjustable power taps. This horn speaker is also finished off with full range moisture resistant cone speaker, stainless-steel mounting hardware and a protective mesh grille.

Technical Specifications

Rated Power	30W
Frequency Response	100Hz - 10kHz
SPL (1W, 1M) dB	107 ± 3dB
Tapping Power	30/15/7.5/3.8W
Line Input	100V
Dimension (WxDxH)	366 x 172 X 272mm
IP Rating	IP 66

Physical

Material & Finish	ABS; Grey
Weight	3kg

HS-5002/3003

REFLEX HORN SPEAKER



Build with IP 56 standard, the HS-5002 (50W) and HS-3003 (30W) is a weather resistant horn speaker that can be use indoor and outdoor sound system. It is well suited for voice paging, background music and tone signaling distribution due to its wide frequency range. The HS-5002/3003 has a 108dB SPL, suitable for big premises. Each unit comes with a waterproof PG-screw joint that acts as a seal to protect the sensitive components from the threats of the environment. The speakers equipped with 2 pole connection cable of known as flexible hose line that links to the PG-screw joint and also comes with switchable 6-step impedance located at the rear side of the unit.

Technical Specifications

Model	HS-5002	HS-3003
Rated Power	50W	30W
Input Impedance	100/200/330/670/16Ω	166/330/500/1k/16Ω
Frequency Response	350Hz - 5kHz	350Hz – 5kHz
SPL (1W, 1M) dB	108dB	108dB
Output Power	50/25/15/7.5W (70V) 50/30/15W (100V)	30/15/10/5W (70V) 30/20/10W (100V)
Dimension (DxH)	∅ 500 x 463 mm	∅ 500 x 463 mm
IP Rating	IP 56	IP 56

Physical

Horn Material	Aluminium	Aluminium
Cover Material	ABS	ABS

PS-2001

PROJECTOR SPEAKER



The PS-2001 is a unidirectional sound projector speaker designed with high acoustic performance in mind. They are design to reproduce sound directly towards the area the speaker faces. Railway station, underground subway, warehouse, car park and sports stadium are a few ideal premises these units should be installed. This unidirectional quality gives the PS-2001 a good edge for installations in corridors and long zones either outdoor or indoor. In addition to its sleek design, it is also durable. Its body material made out of high impact polystyrene and ABS is able to withstand certain amount of impact strength. It is equipped with an orientable attachment bracket to ease up installation process.

Technical Specifications

Rated Power	20W
Frequency Response	110Hz - 15kHz
SPL (1W, 1M) dB	92 ± 3dB
Cone Type	Full Range
Impedance	8Ω
Tapping Power	20/10/5W
Line Input	100V
Dimension (DxH)	∅ 179 x 248 mm
IP Rating	IP 55

Physical

Material & Finish	HIPS; White
Grille	Powder Coated Aluminium Mesh
Speaker	6.5 inch
Weight	1.75kg

**PRO-
SOUND
SYSTEM**

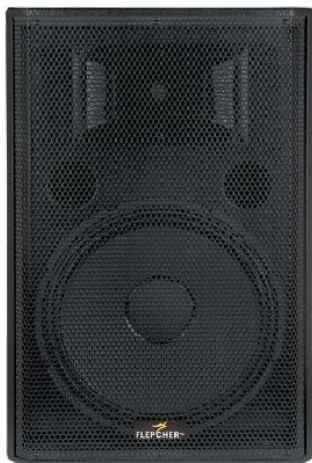


E-Series

PROFESSIONAL LOUDSPEAKER



E-12



E-15



E-18B

The E-Series is developed as a 2-way professional loudspeaker that offers crystal clear voice announcement and power-packed music reproduction. This series is well-fitted for various acoustic installations and events, thanks to their wide dispersion degree, superior sound quality and wide frequency range. All these components in each unit seem to work relentlessly to produce high-quality sound performance, even during extreme situation.

Higher reliability can be expected from these loudspeakers as they are engineered and infused with exceptional specifications that cater to the expectations of the pro-sound industry. This series boosts a line-up of loudspeaker that includes E-12, E-12M, E-15 while offering subwoofer solution in the form of E-18B.



E-12M

Technical Specifications

Model	E-12	E-12M	E-15	E-18B
System Type	12" 2-Way	12" 2-Way	15" 2-Way	Subwoofer
Frequency Range	55-18kHz	55-18kHz	38-18kHz	45-18kHz
Power Handling	250W / RMS	250W / RMS	300W / RMS	400W / RMS
Sensitivity	99dB	99dB	99dB	101dB
Dispersion / Degree	80 x 60	80 x 60	90 x 40	-
HF Driver	1" Voice Coil	1" Voice Coil	1.5" Voice Coil	-
LF Driver	12" Al Frame	12" Al Frame	15" Steel Frame	18" Steel Frame
Cabinet	MDF, Painting	MDF, Painting	MDF, Painting	Plywood
Connection	1 x Speakon 1x Jack	1 x Speakon 1x Jack	1 x Speakon 1x Jack	1 x Speakon 1x Jack
IMP	8Ω	8Ω	8Ω	8Ω
Dimension (WxDxH)	430x340x585	585x340x430	475x340x730	540x530x650
Weight	18kg	18kg	21.5kg	37.5kg



NX professional loudspeaker series offers great versatility being able to respond to high range of frequency. The NX professional loudspeaker series is a reliable series being designed for heavy-duty performances. It is built to withstand high power during operation, delivering punches without compromising on the quality and endurance. Suitable for installation in places such as school hall, meeting room, event or seminar premise, entertainment outlet and other premises that require powerful music quality.

Product Features

- Equipped with good quality compression driver (Ferro fluid cooled) and titanium diaphragm that improve high-frequency performance as well as system reliability
- High voltage capacitors and inductors with massive core and heavy gauge wire
- 18mm plywood enclosure for extreme durability and improved low-frequency performance
- Protected high-frequency driver from excess power without a compromise on the sound quality

Technical Specifications

Model	NX-8	NX-10	NX-12	NX-15MKII
System Type	8'' 2-Way	10'' 2-Way	12'' 2-Way	15'' 2-Way
Frequency Range	100-20kHz	90-20kHz	60-17kHz	45-18kHz
Sensitivity	100dB	96dB	100dB	100dB
Max SPL	120dB	119dB	124dB	125dB
Rated Power	100W/RMS	150W/RMS	300W/RMS	400W/RMS
Coverage	60°x40°	90°x40°	100°x40°	100°x40°
Cross Frequency	2500Hz	2500Hz	2500Hz	2500Hz
Connection	2 x Speakon; NL 4MP			
IMP	8Ω	8Ω	8Ω	8Ω
Dimension (WxDxH)	260x227x434	310x260x490	375x343x585	435x370x585
Weight	10kg	13kg	22kg	34kg

SW-Series

SUBWOOFER UNIT



SW-18



SW-218

The Flepcher SW-Series Subwoofer Unit can offer a highly-efficient acoustic enhancement that provides the needed edge to lift your sound reproduction system to the next level. As a needed enhancement to your pro-sound system, the SW Series works to improve the low-frequency response, stretching the system's response to as low as 35Hz. Powerful and constructed with acoustically superior material, this series puts forward two models namely: the SW-18 and SW-218 that offers endless possibilities to your acoustic system.

Product Features

- Constructed with high quality low-frequency driver, and sports a 100 mm voice coil
- An enclosure made of 18 mm plywood provides extra durability and sound performance for this unit
- Equipped with protection circuit that safely protected the frequency driver against excess power
- This unit is shielded from physical damage, thanks to its 18 gauge perforated, steel grill

Technical Specifications

Model	SW-18	SW-218
System Type	18'' Subwoofer	2 X 18'' Subwoofer
Frequency Range	38-500Hz	35-500Hz
Sensitivity	100dB	102dB
Max SPL	127dB	133dB
Rated Power Capacity	600W/RMS	1200W/RMS
Max Power	1200W/RMS	2400W/RMS
Connection	2 x Speakon	2 x Speakon
IMP	8Ω	4Ω
Dimension (WxDxH)	526x895x787	1030x870x690
Weight	64kg	104.5kg



The MT-1201 power amplifier is designed to maximize reliability. The ability to response to a wide frequency make it suitable for various scenarios. Additionally, it has low THD level and high S/N ratio makes the MT-1201 versatile in professional sound industry.

With thermal cut-off and circuit breaker, the MT-1201 is relied upon during critical situation for its endurance and long-lasting performance. It is also outfitted with a limiter to protect and ensure the sound reproduction system stay at an acceptable level at all times. With an emphasis on power-saving function, this unit only consumes 0.1A under a no-load condition. The MT-1201 performs best when installed in entertainment outlet, stadium, cinema and other large places of large gathering.

Product Features

- Thermal cut-off and circuit breaker to protect amplifiers against over-current
- Specially designed filter to minimize low frequencies which are harmful to speakers
- Low power consumption
- Robust design and can withstand the extreme condition touring
- Patented outlook design and CE certified

Technical Specifications

Power Output Level	1kHz, THD + N=0.1%
RMS @ 8Ω Stereo	1200 + 1200W
RMS @ 4Ω Stereo	1650 + 1650W
RMS @ 8Ω Bridge	3300W
RMS @ 4Ω Bridge	3800W
Frequency Response	20Hz-20kHz ± 1dB
S/N Ratio	95dB
Slew Rate	≥ 25V/us
Phase Response	± 10°
Damping Factor (8Ω, 1f-1kHz)	650
Line Input	240V, 50Hz
Input Connectors	Female XLR + Male XLR
Dimension (WxDxH)	482 x 483 x 132
Weight	41kg

MT-PRO Series

POWER AMPLIFIER



MT-PRO 300

MT-PRO 500

MT-PRO 700

MT-PRO 1000

One of the latest in Flepcher's product, the MT Pro Series 300/500/700/1000 is built with versatility in mind. These professional power amplifiers comes in different power rating suitable for all kind of installation. Its 2U design allows the amplifier to equip up to 4 fans providing a stable ventilation system. Its minimized design allows it to be installed in budgeted system without reducing the quality of the sound system. Its good quality-price ratio allows it to be installed in various venues such as lounge, café, stadium, cinema and conference halls.

Product Features

- Professional audio & video presentations sound system
- Suitable for outdoor application and theatre places
- Fixed installation system
- LED indicators
- Protection: Short circuit, DC, high temperature, current inrush, turn-on/off

Technical Specifications

Model	MT-PRO 300	MT-PRO 500	MT-PRO 700	MT-PRO 1000
Rated Power @ 8Ω	2 x 300W	2 x 500W	2 x 700W	2 x 1000W
1kHz 0.1% THD	2 x 450W (@ 4Ω) 2 x 560W (@ 2Ω)	2 x 750W (@ 4Ω) 2 x 900W (@ 2Ω)	2 x 1050W (@ 4Ω) 2 x 1300W (@ 2Ω)	2 x 1500W (@ 4Ω) 2 x 1900W (@ 2Ω)
Mono Bridge	900W (@ 8Ω) 1100W (@ 4Ω)	1500W (@ 8Ω) 1800W (@ 4Ω)	2100W (@ 8Ω) 2600W (@ 4Ω)	3000W (@ 8Ω) 3800W (@ 4Ω)
Frequency Response	1W 8Ω Stereo, 20-20kHz			
Sensitivity	8Ω Stereo & 1kHz, 0.775V, 1.0V, 1.44V			
Connector	Female XLR & Jack			
Input Impedance	10k/20kΩ, unbalanced/balanced			
Cross Talk	20-20kHz at 8Ω ≥ 65dB			
S/N Ratio	8Ω Rated Power ≥ 100dB			
Slew Rate	≥ 40V/us			
Power Supply	220V/50Hz			
Damping Factor	≥ 400	≥ 500	≥ 550	≥ 600
Dimension (WxDxH)	2U: 483mm x 450mm x 88mm			
Weight	18kg	20kg	24kg	27kg



MT-PRO 1200S is a high power, lightweight (2U), and amazing performance switching power amplifier. It comes with high power efficiency and reliability. Suitable to be installed in various applications such as church, theatre, stadium, disco and live concert.

Product Features

- Unique closed-loop location design and customized capacitor to support excellent audio features.
- LLC resonance oscillation bridge technology with built in EMI filter which greatly improve the output power.
- Ultra-low power consumption and high output efficiency.
- Short circuit protection, overload protection, overvoltage/under-voltage protection, overheat protection.

Technical Specifications

Output Power (20-20kHz, 1W with 1kHz)	2 Channel	Full-bridge Type Power Tech	New Full-bridge Type Power Supply Technology
8Ω Stereo Power (RMS)	2 x 1300W	Cooling	Front-to-rear airflow, temperature controlled speed of 3pcs
4Ω Stereo Power (RMS)	2 x 2600W	Class Circuitry	Class H
THD (20-20kHz for 1W)	< 0.04%	Operating Voltage	110V/230V/220V, 50/60Hz
SNR	> 105dBA	Input Impedance (Unbalanced)	20kΩ (10kΩ)
Damping Factor	> 500	Dimensions (HxWxD)	2U: 88x488x330mm
Channel Separation (Crosstalk) at 1kHz	> 7dB	Big Capacitance	3300uF/220V 4pc
Input Sensitivity	0.775V, 1.4V	Power Transistor (NJW0302/0281G)	6 Pair USA-ON (NJW0302/0281G)
Model Switch	Stereo, Parallel / Mono	Audio IC (USA HIFI IC)	USA-MC33078
Input Connectors (per channel)	3-pin XLR, balanced	Net Weight	9kg
Output Connectors (per channel)	NL4-Speakon	Gross Weight	12kg

PS-15-EC

15" PROFESSIONAL STAGE SPEAKER CABINET



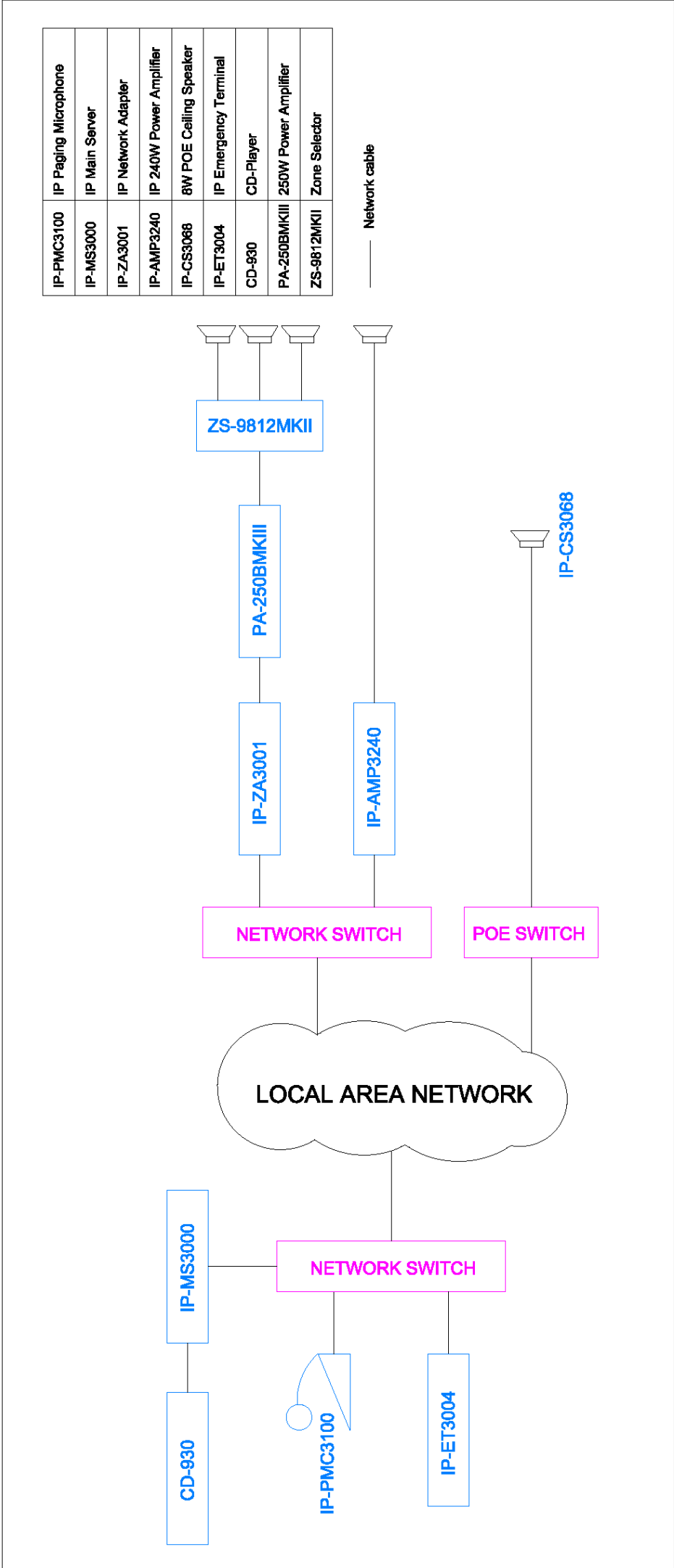
The PS-15-EC is a protection casing for your professional loudspeaker system. As long as the speaker follows the cabinet's requirement, it is able to be installed securely in the cabinet. The cabinet provides an extra protection for your speakers avoiding unwanted damage to your speakers during logistical activities, touring or installation process. Made from rugged plywood material, this is one protection casing you can rely on for a secured and long-lasting sound.

Technical Specifications

Cabinet Material	Plywood
Dimension (WxDxH)	434 x 368 x 675 mm
Weight	13kg

IPPA SYSTEM





IP-PMC3100	IP Paging Microphone
IP-MS3000	IP Main Server
IP-ZA3001	IP Network Adapter
IP-AMP3240	IP 240W Power Amplifier
IP-CS3068	8W POE Ceiling Speaker
IP-ET3004	IP Emergency Terminal
CD-930	CD-Player
PA-250BMKIII	250W Power Amplifier
ZS-9812MKII	Zone Selector

IP PUBLIC ADDRESS SYSTEM SCHEMATIC

IP-MS3000

IP MAIN SERVER

Product Features

- ❑ Featuring the cloud platform voice broadcasting system software to manage the entire broadcast system in real-time.
- ❑ Support LAN & WAN network and allow any browser and any operating system for remote access to log in.
- ❑ Able to manage up to 300 terminal devices and supports up to 150 sets of different real-time tasks.
- ❑ Support audio terminal full-duplex real-time two-way call, one-key help, one-key broadcast, one-key monitoring, conference mode, simultaneous dialing and other call modes, support time policy and transfer policy customization settings, support call time limit hang up, mute, automatically hang up, meeting waiting time customization function.



Technical Specifications

Motherboard	ASUS H110T
Hard Disk	Seagate-ST1000DM010-1TB-SATA interface; max 16T storage capacity
RAM	Memory stick Kingston-HX421S13IB/4
Network Card	Realtek RTL8103EL (Dual network card)
CPU	CPU-Intel-I3-6100
Sensitivity	MIC IN: 280mV
SNR	LINE OUT: 85dB
Distortion	1kHz < 0.5%
Input Power & Power Consumption	DC 19V; 500W industrial server power supply
MTBF	100000 hours
Hardware Detection	Fault/Error/Overload and Alarm (Including disk/RAID/power/fan/temperature/IO performance)
Working Temperature / Humidity	-10°C ~ 60°C ; 20% to 80% relative humidity, no condensation
Standard Interface	Built-in 6 3.0 USB ports, 1 MIC IN, 1 LINE OUT, 1 HDMI, 1 DP
Software System Platform	Linux
Size (LxWxH)	550 x 440 x x44 mm
Weight	3.5 kg

Product Features

- ❑ Full touch screen control as it comes with 8-inch capacitive touch screen.
- ❑ Real-time display of status information such as Program broadcast, two-way intercom, timed broadcast, equipment operation, IP address, MAC address, and other; a button is supported to stop the program broadcast.
- ❑ Graphical volume adjustment interface to adjust the volume of network programs, local MIC, and local AUX.
- ❑ Support for voice reporting, lighting, text, and other prompts, one-key answering, one-key monitoring, hands-free calls, and the function to record missed call details.
- ❑ 2 short-circuit outputs, 2 short-circuit inputs; support flexible short-circuit triggering customized task function.

IP-PMC3100

IP PAGING MICROPHONE



Technical Specifications

Network Interface	Standard RJ45 Input with 1000Mbps / 100Mbps
Communication Protocol	TCP/IP, UDP, IGMP (Multicast), IETF SIP
Sampling Rate	8k ~ 48kHz
AUX Input & Sensitivity	1 Group (350mV)
MIC Input & Sensitivity	1 Group (10mV)
Line Output Level / Impedance	1 Group (1000mV / 470 Ω)
Microphone Type	Cardioid directional electret
Headphone Output Interface & Load	3.5mm interface & 32 Ω
Power Consumption (Total / Standby)	20W / < 3W
Frequency Response	80Hz ~ 16kHz -3dB ± 1dB
THD	≤ 1%
SNR	> 65dB
Short Circuit	Support dry contact; Input: 0V/3.3V; Output: Max 1A/30VDC
Working Voltage	190V ~ 240V AC with 50Hz ~ 60Hz; DC 24V/1.5A
Working Temperature / Humidity	5°C ~ 40°C
Size (L x D x H)	200 x 159 x 55 mm
Weight	1.05kg

IP-ET3004

IP EMERGENCY TERMINAL

Product Features

- ❑ One-key alarm and One-key help intercom with the control room.
- ❑ Comes with sound pressure alarm function, when the detected volume consistently exceeds the defined sound pressure range, the preset program, automatically triggers an alarm on the designated terminal, pop-up prompts on the software interface, synchronous email sending, etc.
- ❑ Integrated high-sensitivity microphone with a large pickup area and effective noise cancellation.
- ❑ 2 short-circuit outputs, 2 short-circuit inputs, flexible customized functions; can execute the short-circuit acquisition, alarm triggering, local media library music playback, message and email sending, and pop-up prompt functions; can execute the electronic lock, fire control, monitoring, and other linkage applications of the third-party hardware and the platform.



Technical Specifications

Network Interface	Standard RJ45 input
Transmission Rate	100Mbps
Communication Protocol	TCP/IP, UDP, IGMP (multicast), IETF SIP
Audio Format & Mode	MP3, WMA, WAV with 16-bit CD sound quality
Sampling Rate	8k ~ 48kHz
AUX Input & Sensitivity	1 group, 350mV
MIC Input & Sensitivity	1 group, 10mV
Line Output Level / Impedance	1 group with 1000mV / 470Ω
Total / Standby Power Consumption	20W / < 3W
Frequency Response	Panel Speaker: 314 ~ 3.14kHz -3 / +1 dB SPK: 80 ~ 16kHz -3 / +1 dB
THD & SNR	≤ 1%; > 65dB
Short-circuit Input & Output	Input: 0V/3.3V; Output: Max 1A/30VDC; Support dry contact output
Working Temperature / Humidity	-20°C ~ 60°C / 20% ~ 80% relative humidity, no condensation
Working Voltage	~ 190V – 240V 50-60Hz (power adapter); DC 24V/2A
Size (LxWxH)	86 x 172 x 58 mm
Weight	0.5kg

Product Features

- ❑ Able to connect analog power amplifiers for local broadcasting and program display.
- ❑ Comes with 4.3-inch LCD screen in TFT colour, 21 industrial metal buttons, graphical volume adjustment interface for the volume of network programs, local MICs and local AUX.
- ❑ Integrated USB and Micro SD (TF) card interface, 2 independent audio output channels
- ❑ Supports remote hardware updating of the terminal, multiple users' switching login and customize the using priority of user function
- ❑ Real-time display the status information on program broadcasting, two-way intercom, regular broadcasting, equipment operating, IP address, MAC address etc, and can be one-key stop programming task.

IP-ZA3001

IP NETWORK ADAPTOR



Technical Specifications

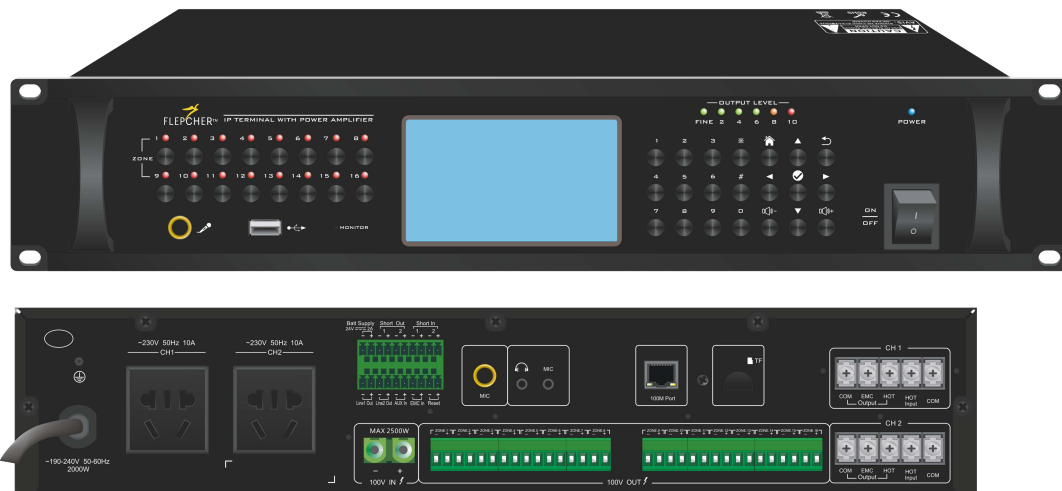
Network Interface & Transmission Rate	Standard RJ45 Input with 100Mbps
Communication Protocol	TCP/IP, UDP, IGMP (Multicast), IETF SIP
Sampling Rate	8k ~ 48kHz
AUX Input & Sensitivity	1 Group (350mV)
EMC Input & Sensitivity	1 Group (775mV)
MIC Input & Sensitivity	1 Group optional TRS interface or 3.5mm input (5mV / 10mV)
Line Output Level / Impedance	2 Groups (1000mV / 470 Ω)
Headphone Output Interface & Load	3.5mm interface & 32 Ω
USB / SD	MAX 4T USB device / MAX 128G SDXC card
Power Consumption (Total / Standby)	20W / < 10W
Frequency Response	80Hz ~ 16kHz -3dB ± 1dB
THD	≤ 0.3%
SNR	> 65dB
Short Circuit	Support dry contact; Input: 0V/3.3V; Output: Max 1A/30VDC
Working Voltage	190V ~ 240V AC with 50Hz ~ 60Hz; DC 24V/1.5A
Working Temperature / Humidity	5°C ~ 40°C; 20% - 80% Relative humidity, without condensation
Size (L x D x H)	484 x 327.5 x 88 mm
Weight	4.6kg

Product Features

IP-ZA3016

IP NETWORK ADAPTOR WITH 16 ZONES

- ❑ Able to display the program and connect analog power amplifiers for local broadcasting to 16 zones.
- ❑ Comes with 4.3-inch LCD screen in TFT colour, 37 industrial metal buttons, graphical volume adjustment interface for the volume of network programs, local MICs and local AUX.
- ❑ Integrated USB and Micro SD (TF) card interface, 2 independent audio output channels.
- ❑ Supports remote hardware updating of the terminal, multiple users' switching login and customize the using priority of user function
- ❑ Real-time display the status information on program broadcasting, two-way intercom, regular broadcasting, equipment operating, IP address, MAC address etc, and can be one-key stop programming task.



Technical Specifications

Network Interface & Transmission Rate	Standard RJ45 Input with 100Mbps
Communication Protocol	TCP/IP, UDP, IGMP (Multicast), IETF SIP
Sampling Rate	8k ~ 48kHz
AUX Input & Sensitivity	1 Group (350mV)
EMC Input & Sensitivity	1 Group (775mV)
MIC Input & Sensitivity	1 Group optional TRS interface or 3.5mm input (5mV / 10mV)
Line Output Level / Impedance	2 Groups (1000mV / 470 Ω)
Headphone Output Interface & Load	3.5mm interface & 32 Ω
USB / SD	MAX 4T USB device / MAX 128G SDXC card
Zone Load Rating	MAX 1000W
Power Consumption (Standby)	< 10W
Frequency Response	80Hz ~ 16kHz -3dB ± 1dB
THD	≤ 0.3%
SNR	> 68dB
Short Circuit	Support dry contact; Input: 0V/3.3V; Output: Max 1A/30VDC
Working Voltage	190V ~ 240V AC with 50Hz ~ 60Hz; DC 24V/1.5A
Working Temperature / Humidity	5°C ~ 40°C; 20% - 80% Relative humidity, without condensation
Size (L x D x H)	484 x 327.5 x 88 mm
Weight	4.6kg

Product Features

- ❑ IP power amplifier that with output power 120W / 240W / 350W / 500W
- ❑ Comes with 4.3-inch LCD screen in TFT colour, 21 industrial metal buttons, graphical volume adjustment interface for the volume of network programs, local MICs and local AUX.
- ❑ Real-time display of status information such as program broadcast, timed broadcast, equipment operation, IP address, MAC address, and so on; support stopping the program broadcast with one button.
- ❑ Smart power management function: automatically cut off the power of the amplifier when no signal, and automatically start the programmed pre-power on function when entering the standby mode and the power is less than 10W.

IP-AMP120/ 240/350/500

IP POWER AMPLIFIER



Technical Specifications

Model	T-78120	T-78240	T-78350	T-78500
Rated Power Output	120W	240W	350W	500W
Total / Standby Power Consumption	160W / < 10W	320W / < 10W	460W / < 10W	650W / < 10W
Network Interface & Transmission Rate	Standard RJ45 Input with 100Mbps			
Protocol	TCP/IP, UDP, IGMP (Multicast), IETF SIP			
Sampling Rate	8k ~ 48kHz			
AUX Input & Sensitivity	1 Group (350mV)			
EMC Input & Sensitivity	1 Group (775mV)			
MIC Input & Sensitivity	1 Group optional TRS interface or 3.5mm input (5mV / 10mV)			
Line Output Level / Impedance	1 Group with 1000mV / 470 Ω			
Earphone Connector / Load	3.5mm interface / 32 Ω			
USB / SD	MAX 4T USB device / MAX 128G SDXC card			
Frequency Response	80Hz ~ 16kHz -3dB ± 1dB			
THD	≤ 1%			
SNR	> 65 dB			
Short Circuit	Support dry contact; Input: 0V/3.3V; Output: Max 1A/30VDC			
Protection Circuit	DC output, overload, over temperature, short circuit protection			
Working Temperature & Humidity	5°C ~ 40°C; 20% - 80% Relative humidity, without condensation			
Working Voltage	190V ~ 240V AC with 50Hz ~ 60Hz			
Size	484 x 327 x 88 mm			
Weight	9.6 kg	9.6 kg	16.5 kg	18 kg

IP-CS3068

IP POE CEILING SPEAKER

Product Features

- ❑ Fully digital transmission with POE power supply mode, high fidelity CD-level sound quality,
- ❑ Built-in 8GByte SSD, support server remote management, limited bandwidth background download or automatic download at idle time, which can reduce network burdens. Offline automatic play function can be used in media library file.
- ❑ Max connection distance: 100 meters.
- ❑ Equipped with DC 24V standby power interface, suitable for power supply when power demand is greater than 10W or for non-POE network.



Technical Specifications

Rated Power	8W
Network Interface	Standard RJ45 input with 100Mbps
Supporting Protocols	TCP/IP, UDP, IGMP (Multicast), SIP, VoIP, VOIP
Sampling Rate / Bit Rate	8k ~ 48kHz / 8kbps ~ 512kbps
Audio Format & Mode	MP3; 16-bit CD sound quality
Total / Standby Power Consumption	12W / < 3W
Frequency Response	80 ~ 16kHz 3dB ± 1dB
THD	≤ 1%
SNR	≥ 68 dB
Loaded Speaker	8Ω / 6W
Speaker Attribute	Woofer
Protection Circuit	Overvoltage, overcurrent protection
Working Voltage	190V ~ 240V AC with 50Hz ~ 60Hz; DC 24V/1.5A
Working Temperature / Humidity	5°C ~ 40°C; 20% - 80% Relative humidity, without condensation
Installation Size	160 mm
Size (D x H)	180 x 98 mm
Weight	0.8kg



www.flepcher.com