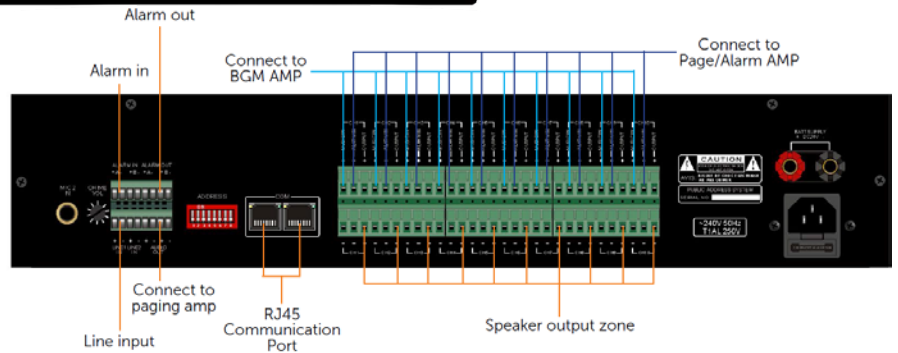
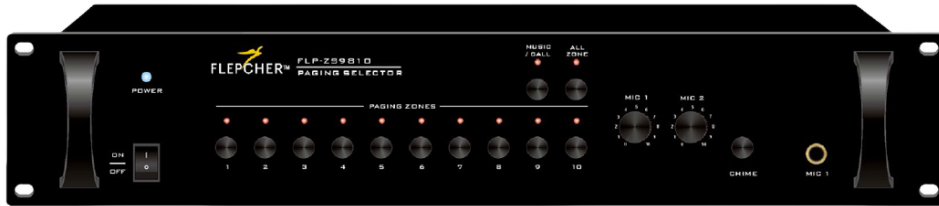


Product Features

- ❑ The power capacity for one zone is 500W, making it 5000W for all 10 zones speaker output terminals
- ❑ Volume control over MIC1-2
- ❑ All zone alarm in (A/B 2 channels) and all zone alarm output (A/B 2 channels)
- ❑ Microphone 1-2 inputs, LINE 1-2 inputs, Audio output
- ❑ 3-Levels of input priority: EMC > MIC1 > Remote Paging Console
- ❑ Indicators for Zone 1-10 selector, music/paging switch and all-zone selector
- ❑ 2 RJ45 communication ports for cascading purposes

ZS-9810

10-CHANNEL UNINTERRUPTED ZONE SELECTOR



Technical Specifications

Input	MIC1,2: 600Ω, 5mV, Unbalanced LINE1,2: 10kΩ, 775mV, Unbalanced
Output	80dB
Frequency Response	MIC: 100Hz – 15kHz; LINE: 30Hz – 18kHz
S/N Ratio	MIC Input: 60dB; Line Input: 80dB
Controls	MIC1,2 gain controls, 10 channel selectors, chime button, power switch
Indicators	Power LED, 10 Paging channel LEDs
Protection	AC Fuse, 1A
Power Supply	~110V / 60Hz or ~230V / 50Hz or DC 24V
Power Consumption	40W
Communication Protocol	RS422
Communication Input	RJ45
Communication Speed	4800bps
Weight	4.6kg
Dimension (W x D x H)	484mm x 350mm x 88mm
Material & Finish	Panel: Aluminium plate, Black Case: Steel plate, Black