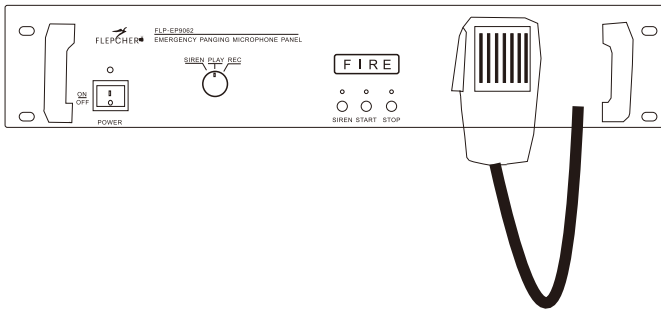




User Manual



FLP-EP9062
Emergency Paging Microphone Panel

Please read this user manual carefully before operation.



Descriptions

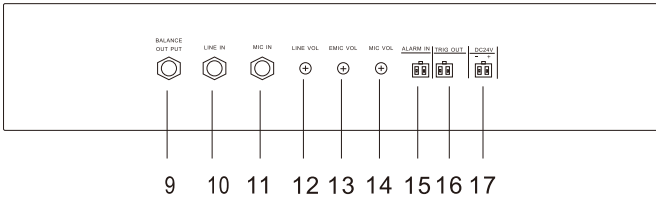
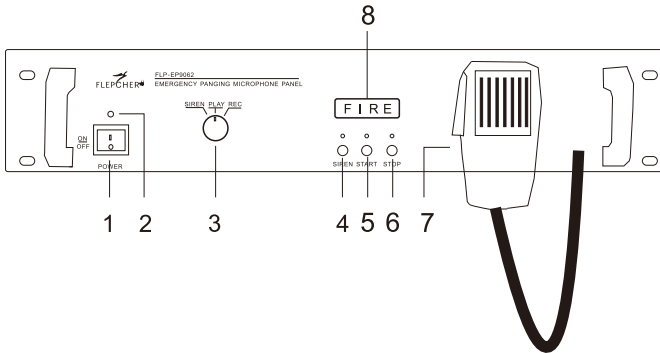
The FLP-EP9062 Emergency Paging Microphone Panel is designed perfectly for emergency situations. Users such as fireman are able to make announcement to all zones connected to PA system. It is equipped with a built-in siren, message recorder & handheld microphone. Additionally, the handheld microphone has the highest priority over BGM & normal paging. The EP9062 has an advance Paging Microphone Automatic Activation(PMAA) function which can automatically send short-circuit signals to activate ALL CALL at zone selector once the handheld microphone is used. Siren/Rec messages can be triggered manually or automatically by incoming alarm signal.

Features:

- “FIRE” LED display screen with flashing indicator
- 50 seconds message recording
- Short circuit to activate ALL CALL at zone selector
- Built in siren
- Volume control for handheld mic and recording mic



Front Panel & Rear Panel



1 POWER

2 POWER LED

3 OPERATION SELECTING KNOB

SIREN/PLAY/REC selector

4 SIREN BUTTON

Manual siren button

5 START BUTTON

Start button for recording and play

6 STOP BUTTON

Stop button for recording, manual play & siren

7 EMERGENCY PAGING MICROPHONE

8 FIRE INDICATOR

9 BALANCE OUTPUT

Balance audio signal output

10 LINE IN

Line input for recording

11 MIC IN

Microphone input for recording

12 LINE VOL

Volume control for line input

13 EMIC VOL

Volume control for emergency paging microphone

14 MIC VOL

Volume control for microphone input

15 ALARM IN

Fire alarm short circuit signal input

16 TRIG OUT

Short circuit signal activation output

17 DC24V



Operations

1. When knob turned to "REC" position

Press "START" button	Start recording message for 50 seconds through "MIC IN" & "LINE IN" inputs on rear panel.
Press "STOP" button	Stop recording and the message saved automatically. The stored message will be override by next recording message.

2. When knob turned to "PLAY" position (to PLAY the recording message)

<i>Manual Play</i>	Press "START" button	Start playing the recording message and automatically trigger short circuit signal from "TRIG OUT" port to activate ALL CALL at speaker zone selector.
	Press "STOP" button	Stop playing the recording message.
<i>Automatic Play</i>	"ALARM IN" being triggered	<p>Automatically broadcast the recording message and trigger short circuit signal from "TRIG OUT" port to activate ALL CALL at speaker zone selector.</p> <p>Press "STOP" button for 5 seconds to cancel ALL CALL at speaker zone selector.</p>



3. When knob turned to "SIREN" position

<i>Manual Siren</i>	Press "START" button	Start playing the built-in siren and automatically trigger short circuit signal from "TRIG OUT" port to activate ALL CALL at speaker zone selector.
	Press "STOP" button	Stop playing the built-in siren.
<i>Automatic Siren</i>	"ALARM IN" being triggered	<p>Automatically broadcast the built-in siren and trigger short circuit signal from "TRIG OUT" port to activate ALL CALL at speaker zone selector.</p> <p>Press "STOP" button for 5 seconds to cancel ALL CALL at speaker zone selector.</p>



4. Use of Emergency Paging Microphone

At the emergency situation, handheld microphone can be used to make announcement directly with highest priority over other inputs. Pressing the handheld microphone will automatically trigger short circuit signal from “TRIG OUT” port to activate ALL CALL at speaker zone selector.

5. Red “FIRE” flashing alarm indicator

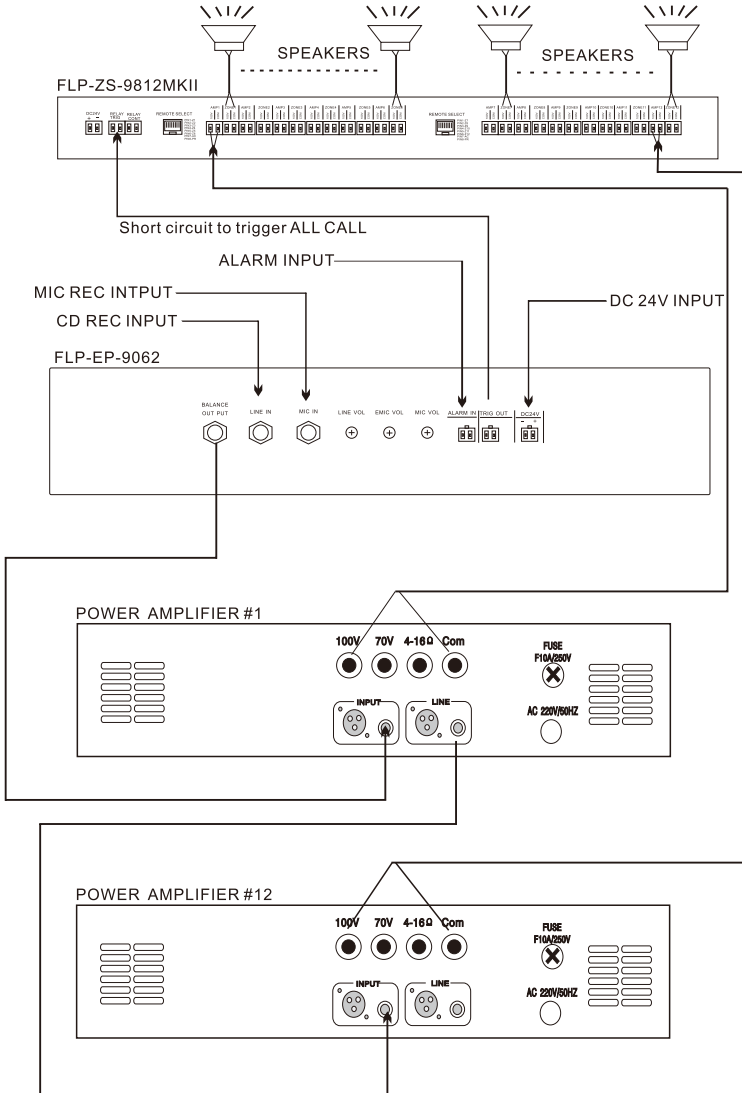
During the manual play, automatic play, manual siren, automatic siren and emergency paging, the red “FIRE” in LED display screen will flash automatically, and will stop displaying when alarm signal or manual operation stopped.

6. Stop to output the activation signal

During the automatic play and automatic siren, it will automatically trigger short circuit signal from “TRIG OUT” port to activate ALL CALL at speaker zone selector. To cancel this, press “STOP” button for 5 seconds.



Connection Diagram





Specifications

Model	FLP-EP9062
REC Signal Input	MIC input \geq 8mV, Unbalanced
	LINE input \geq 330mV, Unbalanced
BALANCE Output	SIREN/PLAY/EMIC \geq +5V, \leq -5V, Balanced signal
ALARM Input	Short-circuit signal input
TRIG Output	Short-circuit signal activation output
ALARM Activation Mode	Manual operation/Alarm signal
Power Consumption	<10W
Power Supply	24VDC/500mA
Dimensions(WxDxH)	483x366x89mm
Weight	5Kg



www.flepcher.com